



SET UP

Austin Woodyard - Motorama 2017

TRACK SIZE	<input type="checkbox"/> OPEN	<input type="checkbox"/> MEDIUM	<input type="checkbox"/> TIGHT
TRACK TRACTION	<input type="checkbox"/> HIGH	<input checked="" type="checkbox"/> MEDIUM	<input type="checkbox"/> LOW
TRACK SURFACE	<input type="checkbox"/> SMOOTH	<input type="checkbox"/> MEDIUM	<input checked="" type="checkbox"/> BUMPY
TRACK TYPE	<input type="checkbox"/> HARD PACKED	<input checked="" type="checkbox"/> SOFT DIRT	<input type="checkbox"/> CLAY
	<input type="checkbox"/> BLUE GROOVE	<input type="checkbox"/> ASTRO TURF	<input type="checkbox"/> GRASS
TRACK CONDITION	<input checked="" type="checkbox"/> DRY	<input type="checkbox"/> DUSTY	<input type="checkbox"/> WETT

TEMP. F / °C

AIR _____ TRACK _____

LAPS _____

BEST LAPTIME _____

QUALI RESULT _____

RACE RESULT _____

DIFFERENTIAL OIL

FRONT		CENTER		REAR	
7K	CST	15K	CST	5K	CST

TRANSMISSION SET UP

PINION	T	SPUR GEAR	T
FINAL DRIVE RATIO		ROLLOUT	mm
MOTOR	1900	TIMING	0
ROTOR		ARMATURE	
ESC	Hobby Wina	BATTERIES	SMC
BRUSHLESS	PROGRAM	PUNCH	INITIAL BRAKE
			AUTO BRAKE

BODY - WING

BODY	LFR
WING	LFR Hammer

SHOCKS

FRONT	SPRING	REAR
<input checked="" type="checkbox"/>	Orange	<input checked="" type="checkbox"/>
<input type="checkbox"/>	Red	<input type="checkbox"/>
<input type="checkbox"/>	Pink	<input type="checkbox"/>
<input type="checkbox"/>	Blue	<input type="checkbox"/>
<input type="checkbox"/>	Purple	<input type="checkbox"/>
<input type="checkbox"/>	Green	<input type="checkbox"/>
<input type="checkbox"/>	Other	<input type="checkbox"/>
37.5	OIL/CST	30
0	REBOUND %	0

OPEN **PISTON** CLOSED

HOLE SIZE

<input type="checkbox"/> 1.1MM	<input type="checkbox"/>
<input type="checkbox"/> 1.2MM	<input type="checkbox"/>
<input checked="" type="checkbox"/> 1.3MM	<input checked="" type="checkbox"/>
<input type="checkbox"/> 1.4 MM	<input type="checkbox"/>

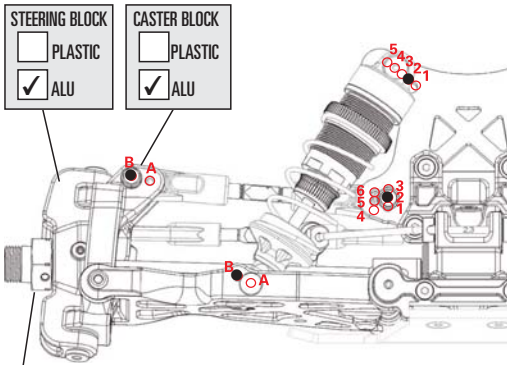
Taper Up OTHER Taper Down

TYRES

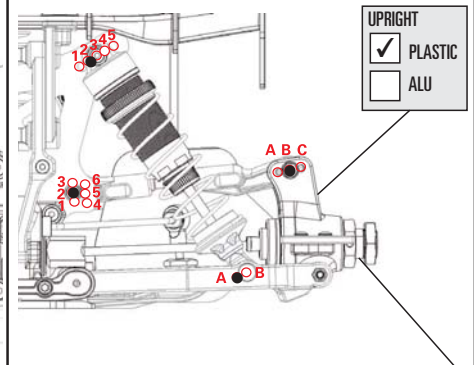
BRAND	AKA
TYPE	Double Down
INSERT	Red
WHEELS	AKA
STOCK	<input type="checkbox"/> BRAND <input type="checkbox"/> TYPE

COMMENTS

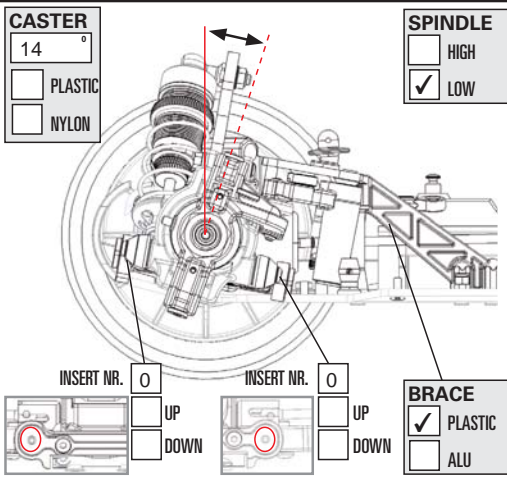
Front End - Will try 2 up and 2 down next time. Will also try soft compound tire on main day.



HEX ADAPTER 0mm 0 mm



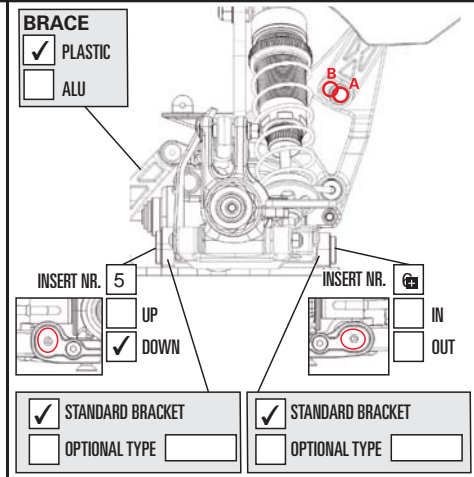
HEX ADAPTER -2mm



INSERT NR. 0 UP DOWN

INSERT NR. 0 UP DOWN

BRACE PLASTIC ALU

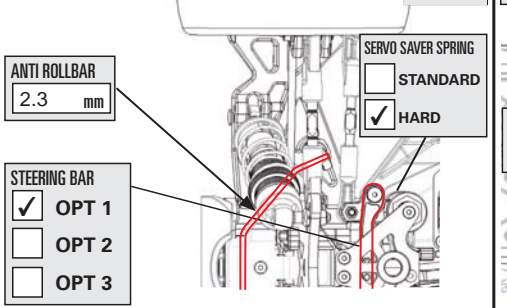


INSERT NR. 5 UP DOWN

INSERT NR. IN OUT

STANDARD BRACKET OPTIONAL TYPE

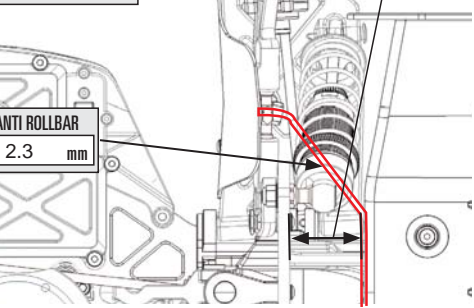
STANDARD BRACKET OPTIONAL TYPE



ANTI ROLLBAR 2.3 mm

SERVO SAVER SPRING STANDARD HARD

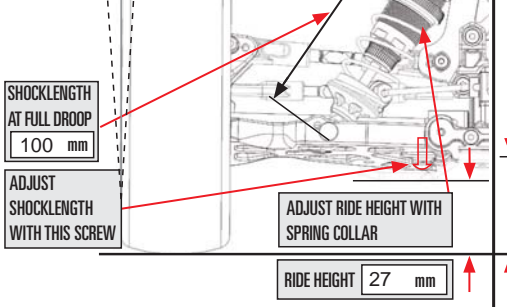
STEERING BAR OPT 1 OPT 2 OPT 3



WHEELBASE SHIMS 1.25 2.5 3.75 5mm

ANTI ROLLBAR 2.3 mm

WING LOCATION IN mm 33

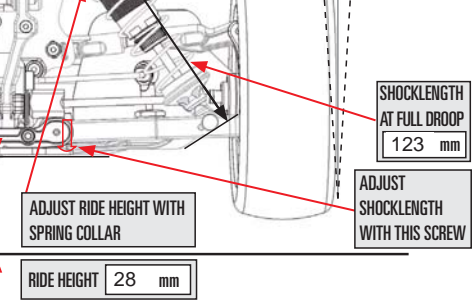


SHOCKLENGTH AT FULL DROOP 100 mm

ADJUST SHOCKLENGTH WITH THIS SCREW

ADJUST RIDE HEIGHT WITH SPRING COLLAR

RIDE HEIGHT 27 mm



SHOCKLENGTH AT FULL DROOP 123 mm

ADJUST SHOCKLENGTH WITH THIS SCREW

ADJUST RIDE HEIGHT WITH SPRING COLLAR

RIDE HEIGHT 28 mm