

## DRIVER, TRACK AND RESULTS

**DRIVER** Jordy Velder **COUNTRY** NL **WEATHER** AIR TEMP 21 TRACK TEMP 21  DRY  INTERMEDIATE  WET  
**RACE** Warmup Reding FR **DATE** 7/9-4-2017 **QUALY POS.** **STARTING POS.** **FINAL POS.** **FASTEST LAP** 32.2  
**TRACK** **TYPE**  TIGHT  MEDIUM  OPEN  **GRIP**  LOW  MEDIUM  HIGH   
**SURFACE CONDITION**  SMOOTH  ROUGH   
**TYPE**  HARD PACKED  CLAY  MULTI/SURFACE  GRASS  BLUE GROOVE  DIRT  ASTRO-TURF

FRONT SHOCK ABSORBERS		REAR
<u>550</u> cst	<u>OIL</u>	<u>500</u> cst
<u>Purple</u>	<u>SPRINGS</u>	<u>Blue</u>
<u>0</u> mm	<u>REBOUND</u>	<u>0</u> mm
N° HOLES <u>6</u> ∅ <u>1.3/1.6</u> mm	PISTONS	N° HOLES <u>6</u> ∅ <u>1.3/1.6</u> mm
<input checked="" type="checkbox"/> BLADDER	SEAL TYPE	<input checked="" type="checkbox"/> BLADDER
<input type="checkbox"/> EMULSION		<input type="checkbox"/> EMULSION

FRONT ANTI-ROLL BARS		REAR
<input type="checkbox"/>	<input checked="" type="checkbox"/>	<input checked="" type="checkbox"/>
<u>1.8</u>	<u>2.0</u>	<u>2.3</u>
<u>2.5</u>	<u>2.7</u>	<u>1.8</u>
<u>2.0</u>	<u>2.3</u>	<u>2.5</u>
<u>2.7</u>		<u>2.7</u>

DIFFERENTIAL OIL		
FRONT DIFF	CENTER DIFF	REAR DIFF
<u>5000</u> cst	<u>5000</u> cst	<u>3000</u> cst

GEARING	
CLUTCH BELL	SPUR GEAR
<u>13</u> Teeth	<u>46</u> Teeth

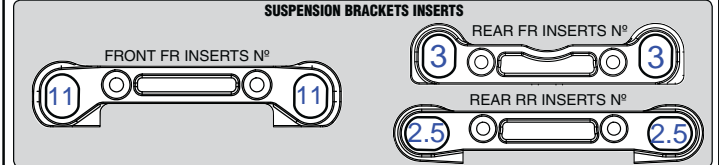
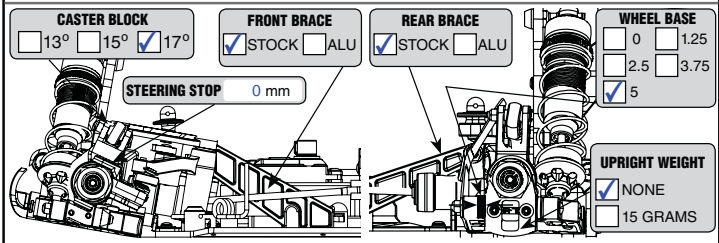
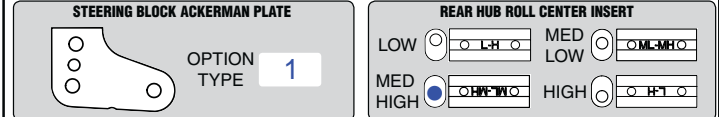
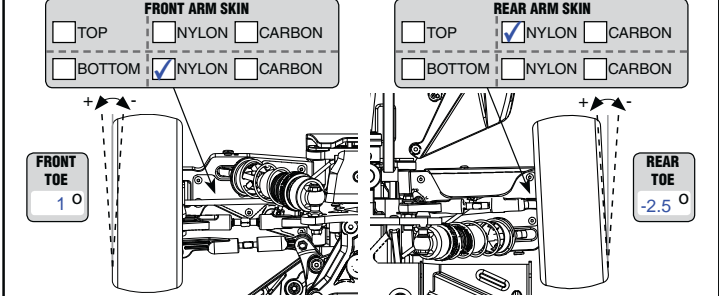
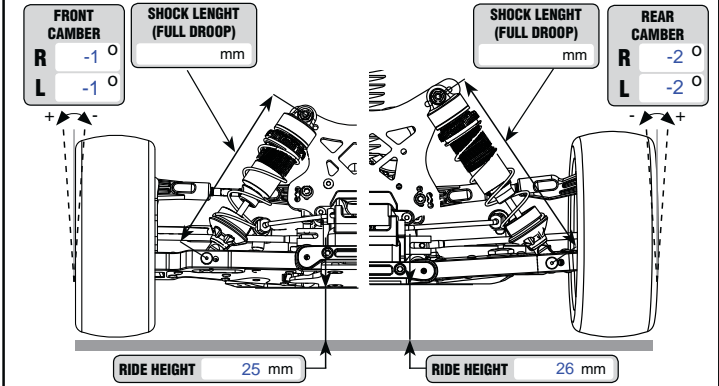
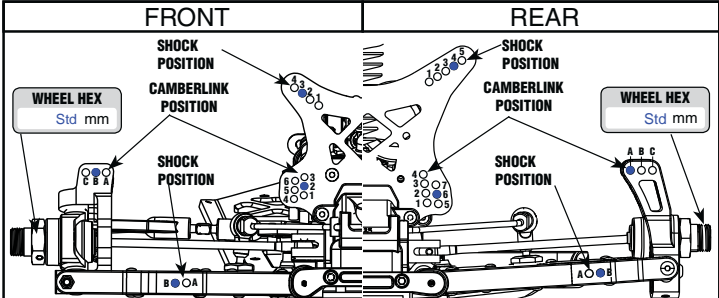
CLUTCH	
<input checked="" type="checkbox"/> STANDARD	<input type="checkbox"/> VENTED
<input type="checkbox"/> STEEL	<input checked="" type="checkbox"/> ALU
CLUTCH SHOES	CLUTCH SPRINGS
SHOE TYPE <u>alu</u> x <u>4</u>	with SPRINGS TYPE <u>0.9</u> mm
SHOE TYPE <u>   </u> x <u>   </u>	with SPRINGS TYPE <u>   </u> mm

ENGINE, PIPE AND FUEL			
ENGINE BRAND	<u>Reds</u>	TYPE	<u>R5TT V5.0</u>
HEADSHIMS	<u>mm</u>	GLOWPLUG	<u>P3</u>
EXHAUST PIPE	<u>2143</u>	MANIFOLD	<u>S</u>
FUEL BRAND	<u>Hotfire</u>	NITRO	<u>25</u> %

FLEX CONFIGURATION	
ENGINE MOUNT	<input checked="" type="checkbox"/> STANDARD <input type="checkbox"/> MONOBLOCK

AERODYNAMIC CONFIGURATION	
BODY	<input type="checkbox"/> STANDARD <input type="checkbox"/> HIGH DOWNFORCE <input checked="" type="checkbox"/> OTHER <u>LFR</u>
WING	
TYPE	<u>Serpent 600825</u> WING PLATES <input type="checkbox"/> 2° <input checked="" type="checkbox"/> 4° <input type="checkbox"/> 6°
GURNEY STRIP	<input type="checkbox"/> YES <input type="checkbox"/> NO CENTER FOIL <input type="checkbox"/> YES <input type="checkbox"/> NO

FRONT TIRES		REAR
<u>R5TT</u>	MAKE	<u>Aka</u>
<u>Impact soft</u>	TYPE	<u>Impact soft</u>
INSERTS		
WHEELS		



REMARKS Pistons 3x 1.3mm and 3x 1.6mm FR/RR