

DRIVER, TRACK AND RESULTS

DRIVER COUNTRY WEATHER AIR TEMP TRACK TEMP DRY INTERMEDIATE WET

RACE DATE QUALY POS. STARTING POS. FINAL POS. FASTEST LAP

TRACK TYPE INDOOR OUTDOOR STYLE TIGHT MEDIUM OPEN

SURFACE GRIP LOW MEDIUM HIGH CONDITION SMOOTH ROUGH

TYPE HARD PACKED CLAY CARPET MULTI/SURFACE GRASS BLUE GROOVE DIRT ASTRO-TURF

FRONT	SHOCK ABSORBERS	REAR
<input type="text"/>	cst OIL	cst
SPRINGS		
<input type="text"/>	mm REBOUND	mm
<input type="text"/>	mm LIMITERS	mm
<input type="text"/>	mm LENGTH	mm
N° HOLES <input type="text"/>	mm PISTONS N° HOLES <input type="text"/>	mm
PISTONS TYPE <input type="checkbox"/> STOCK <input type="checkbox"/> CONICAL <input type="checkbox"/> SQUARE		
<input type="checkbox"/> HIGH <input type="checkbox"/> LOW SPRING BUCKETS <input type="checkbox"/> HIGH <input type="checkbox"/> LOW		
<input type="checkbox"/> BLADDER SEAL <input type="checkbox"/> BLADDER		
<input type="checkbox"/> EMULSION TYPE <input type="checkbox"/> EMULSION		

FRONT **ANTI-ROLL BARS** REAR

0.9 1 1.1 OTHER mm 1.1 1.3 1.5 OTHER mm

REAR DIFFERENTIAL

BALL DIFFERENTIAL DIFFERENTIAL HEIGHT HIGH MED LOW FIXED

GEAR DIFF cst

GEARING

PINION Teeth SPUR GEAR Teeth

ELECTRONICS

BATTERY

BRAND CAPACITY mAh

MOTOR

BRAND TYPE TIMING

ESC

BRAND TYPE

AERODYNAMIC CONFIGURATION

BODY BRAND TYPE

REAR WING BRAND TYPE

REAR WING WIDTH REAR WING LIP mm

REAR WING ANGLE 0° 2° 4° 6° 8°

FRONT WING YES NO TYPE

FRONT **TIRES** Controlled Tire REAR

MAKE

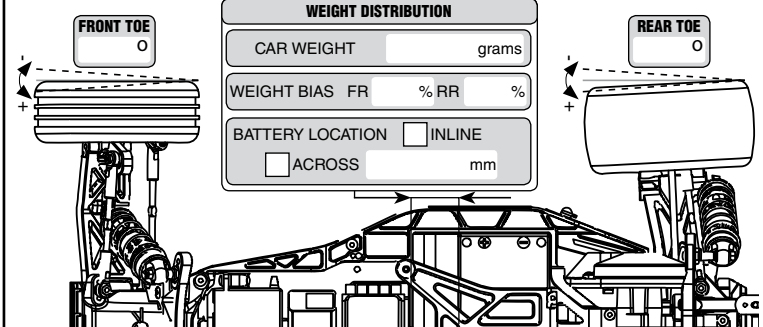
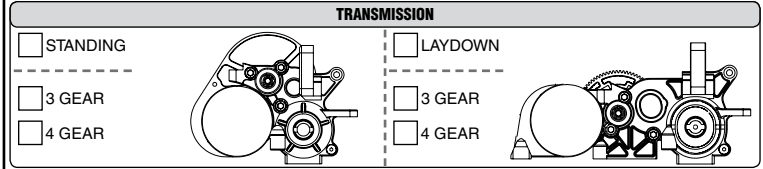
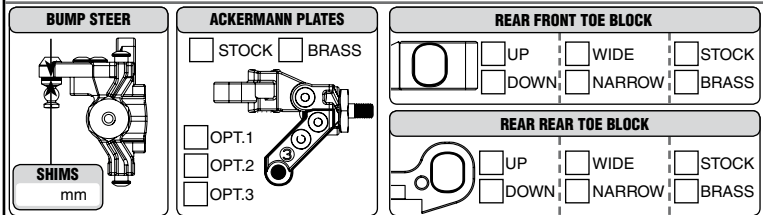
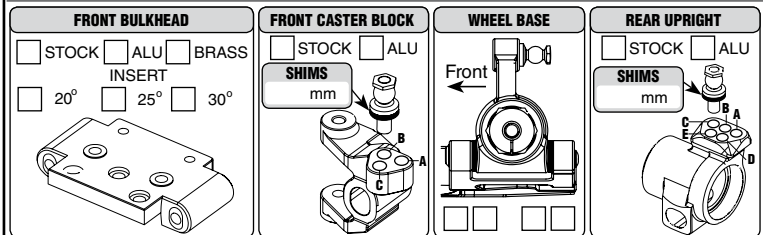
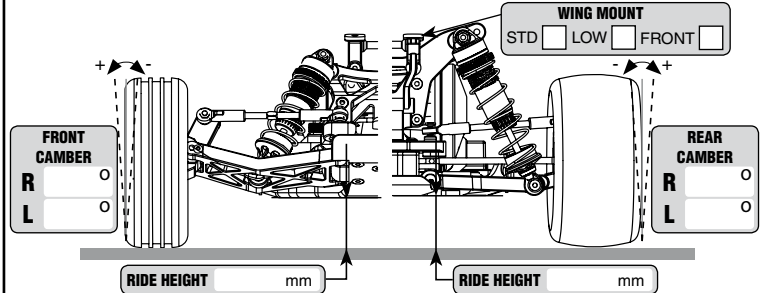
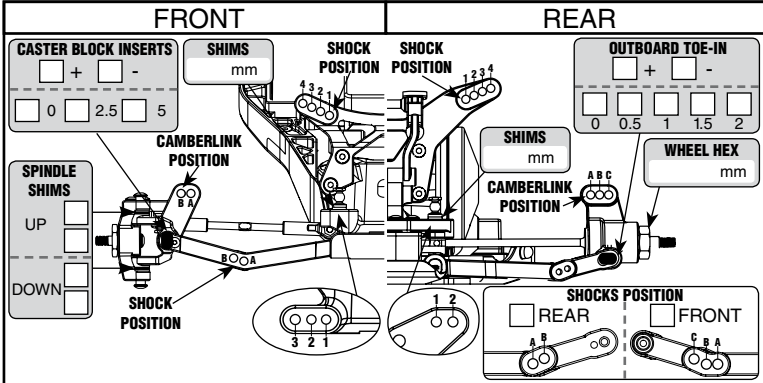
TYPE

COMPOUND

INSERTS

WHEELS

ADDITIVE



REMARKS