

DRIVER, TRACK AND RESULTS

DRIVER Carlos Durães	COUNTRY Portugal	WEATHER AIR TEMP 30° TRACK TEMP	<input checked="" type="checkbox"/> DRY <input type="checkbox"/> INTERMEDIATE <input type="checkbox"/> WET
RACE Portuguese Cup	DATE 02/07/2017	QUALY POS.	STARTING POS. FINAL POS. FASTEST LAP 28.4
TRACK Ortigosa	TYPE <input checked="" type="checkbox"/> TIGHT <input type="checkbox"/> MEDIUM <input type="checkbox"/> OPEN	GRIP <input type="checkbox"/> LOW <input type="checkbox"/> MEDIUM <input checked="" type="checkbox"/> HIGH	
SURFACE CONDITION <input checked="" type="checkbox"/> SMOOTH <input type="checkbox"/> ROUGH <input type="checkbox"/>			
TYPE <input checked="" type="checkbox"/> HARD PACKED <input type="checkbox"/> CLAY <input type="checkbox"/> MULTI/SURFACE <input type="checkbox"/> GRASS <input type="checkbox"/> BLUE GROOVE <input type="checkbox"/> DIRT <input type="checkbox"/> ASTRO-TURF <input type="checkbox"/>			

FRONT SHOCK ABSORBERS		REAR
50 WT cst	OIL	30 WT cst
Verdes V3	SPRINGS	Blue V3
10 mm	REBOUND	10 mm
N° HOLES 8	Ø 1.3 mm	PISTONS N° HOLES 8 Ø 1.3 mm
<input checked="" type="checkbox"/> BLADDER	SEAL TYPE	<input checked="" type="checkbox"/> BLADDER
<input type="checkbox"/> EMULSION		<input type="checkbox"/> EMULSION

FRONT ANTI-ROLL BARS		REAR
<input type="checkbox"/>	<input type="checkbox"/>	<input checked="" type="checkbox"/>
1.8	2.0 2.3 2.5 2.7	1.8 2.0 2.3 2.5 2.7

DIFFERENTIAL OIL		
FRONT DIFF	CENTER DIFF	REAR DIFF
30000 cst	30000 cst	15000 cst

GEARING	
CLUTCH BELL 13 Teeth	SPUR GEAR 47 Teeth

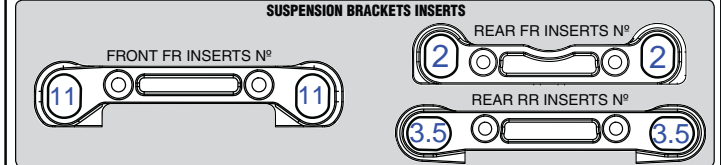
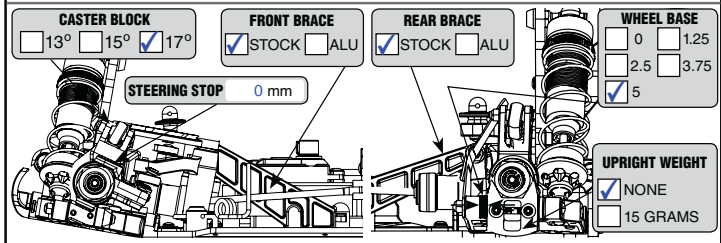
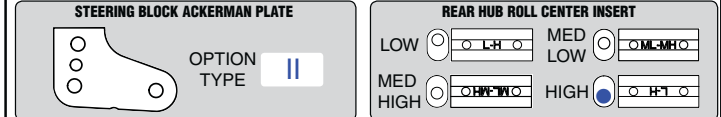
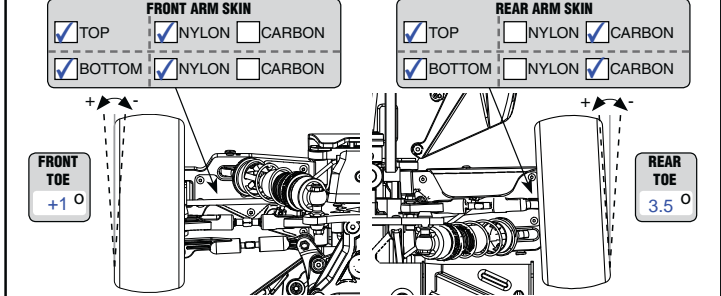
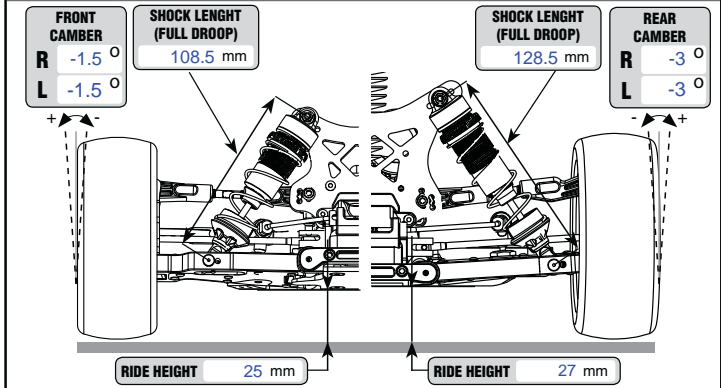
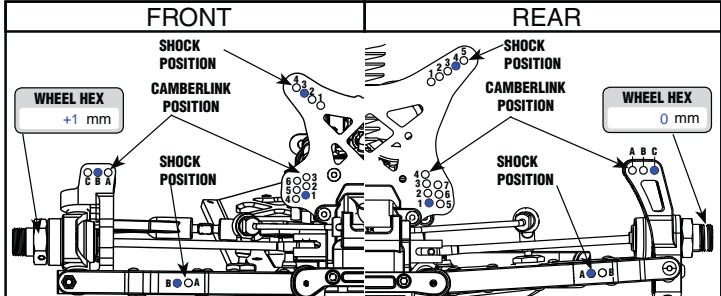
CLUTCH	
<input checked="" type="checkbox"/> CLUTCH BELL STANDARD <input type="checkbox"/> VENTED	<input type="checkbox"/> FLYWHEEL STEEL <input checked="" type="checkbox"/> ALU
CLUTCH SHOES	CLUTCH SPRINGS
SHOE TYPE Alu x 4 with	SPRINGS TYPE 1.0 mm
SHOE TYPE x with	SPRINGS TYPE mm

ENGINE, PIPE AND FUEL			
ENGINE BRAND OS Spec II	TYPE	HEADSHIMS mm	GLOWPLUG P3
EXHAUST PIPE 2060	MANIFOLD Original	FUEL BRAND Nitrolux	NITRO 25 %

FLEX CONFIGURATION	
ENGINE MOUNT	<input type="checkbox"/> STANDARD <input checked="" type="checkbox"/> MONOBLOCK

AERODYNAMIC CONFIGURATION	
BODY <input type="checkbox"/> STANDARD <input type="checkbox"/> HIGH DOWNFORCE <input checked="" type="checkbox"/> OTHER	Minha
WING	
TYPE 600825	WING PLATES <input type="checkbox"/> 2° <input checked="" type="checkbox"/> 4° <input type="checkbox"/> 6°
GURNEY STRIP <input type="checkbox"/> YES <input type="checkbox"/> NO	CENTER FOIL <input type="checkbox"/> YES <input type="checkbox"/> NO

FRONT TIRES		Controlled Tire	REAR
AKA	MAKE		AKA
Zips medio	TYPE		Zips medio
red	INSERTS		red
white	WHEELS		white



REMARKS	
----------------	--