

DRIVER, TRACK AND RESULTS

DRIVER Carlos Durães	COUNTRY Portugal	WEATHER AIR TEMP 30° TRACK TEMP	<input checked="" type="checkbox"/> DRY <input type="checkbox"/> INTERMEDIATE <input type="checkbox"/> WET
RACE Portuguese Cup	DATE	QUALY POS. 2	STARTING POS. 2° FINAL POS. 4° FASTEST LAP 28.2
TRACK Ortigosa	TYPE <input type="checkbox"/> TIGHT <input checked="" type="checkbox"/> MEDIUM <input type="checkbox"/> OPEN	GRIP <input type="checkbox"/> LOW <input type="checkbox"/> MEDIUM <input checked="" type="checkbox"/> HIGH	
SURFACE CONDITION <input checked="" type="checkbox"/> SMOOTH <input type="checkbox"/> ROUGH <input type="checkbox"/>			
TYPE <input checked="" type="checkbox"/> HARD PACKED <input type="checkbox"/> CLAY <input type="checkbox"/> MULTI/SURFACE <input type="checkbox"/> GRASS <input type="checkbox"/> BLUE GROOVE <input type="checkbox"/> DIRT <input type="checkbox"/> ASTRO-TURF <input type="checkbox"/>			

FRONT SHOCK ABSORBERS		REAR
40WT cst	OIL	30WT cst
Purple V3	SPRINGS	Pink V3
10 mm	REBOUND	10 mm
N° HOLES 6	Ø 1.3 mm	PISTONS N° HOLES 6 Ø 1.4 mm
<input checked="" type="checkbox"/> BLADDER	SEAL TYPE	<input checked="" type="checkbox"/> BLADDER
<input type="checkbox"/> EMULSION		<input type="checkbox"/> EMULSION

FRONT ANTI-ROLL BARS		REAR
<input type="checkbox"/> 1.8	<input type="checkbox"/> 2.0	<input checked="" type="checkbox"/> 2.3
<input type="checkbox"/> 2.5	<input type="checkbox"/> 2.7	<input type="checkbox"/> 3.0

DIFFERENTIAL OIL		
FRONT DIFF 30000 cst	CENTER DIFF 30000 cst	REAR DIFF 15000 cst

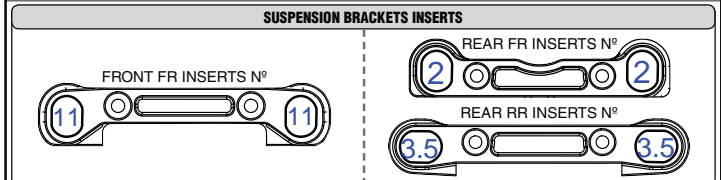
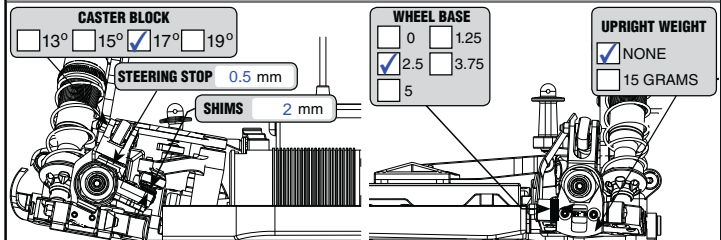
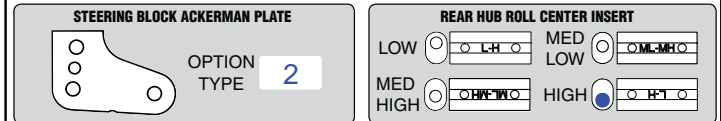
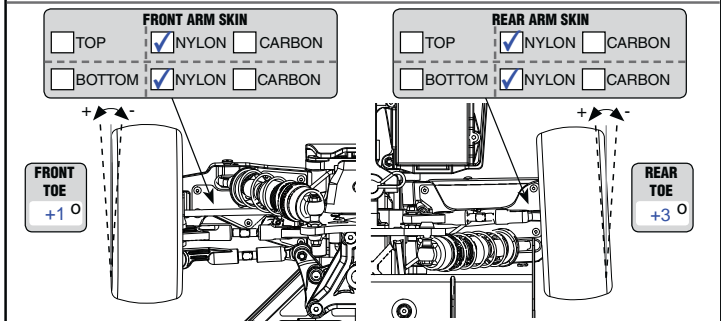
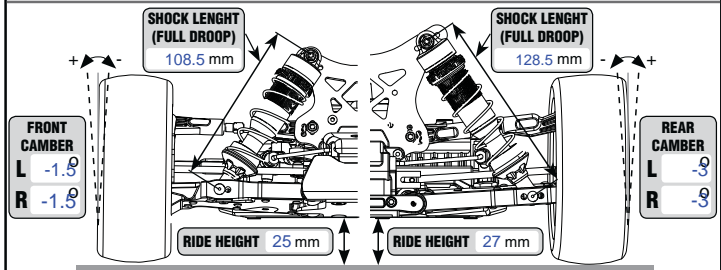
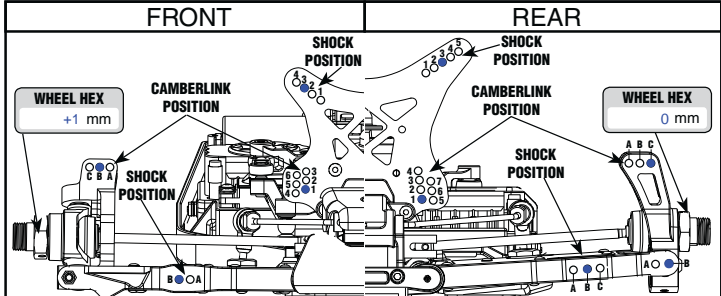
GEARING	
PINION 14 Teeth	SPUR GEAR 46 Teeth

ELECTRONICS	
BATTERY	
BRAND Corally	CAPACITY mAh
MOTOR	
BRAND Hobbywing	TYPE TIMING
ESC	
BRAND Hobbywing	TYPE

ELECTRONICS LAYOUTS	
<input type="checkbox"/> LAYOUT 1	<input checked="" type="checkbox"/> LAYOUT 2
<input type="checkbox"/> 2S STICK BATTERIES	<input type="checkbox"/> 4S BRICK BATTERY
<input type="checkbox"/> 2S SHORTY REARWARD BATTERIES	<input type="checkbox"/> 2S STICK BATTERIES
<input type="checkbox"/> 2S SHORTY FORWARD BATTERIES	<input type="checkbox"/> 2S SHORTY REARWARD BATTERIES
	<input type="checkbox"/> 2S SHORTY FORWARD BATTERIES

AERODYNAMIC CONFIGURATION	
BODY <input checked="" type="checkbox"/> STANDARD <input type="checkbox"/> HIGH DOWNFORCE <input type="checkbox"/> OTHER	600942
WING	
TYPE 600825	WING PLATES <input type="checkbox"/> 2° <input checked="" type="checkbox"/> 4° <input type="checkbox"/> 6°
GURNEY STRIP <input type="checkbox"/> YES <input checked="" type="checkbox"/> NO	CENTER FOIL <input type="checkbox"/> YES <input checked="" type="checkbox"/> NO

FRONT TIRES	Controlled Tire	REAR
AKA	MAKE	AKA
Chainlink Medio	TYPE	Chainlink Medio
RED	INSERTS	RED
AKA	WHEELS	AKA



REMARKS