

DRIVER, TRACK AND RESULTS

DRIVER Pontus Larsson **COUNTRY** SWE **WEATHER** AIR TEMP 16 TRACK TEMP 16 DRY INTERMEDIATE WET

RACE Mittsvenska delt. 3 **DATE** 20160702 **QUALY POS.** 1 **STARTING POS.** 2 **FINAL POS.** 1 **FASTEST LAP** 33.668

TRACK Borås MRK **TYPE** TIGHT MEDIUM OPEN **GRIP** LOW MEDIUM HIGH

SURFACE CONDITION SMOOTH ROUGH

TYPE HARD PACKED CLAY MULTI/SURFACE GRASS BLUE GROOVE DIRT ASTRO-TURF

FRONT SHOCK ABSORBERS		REAR
450 cst	OIL	450 cst
purple	SPRINGS	purple
0 mm	REBOUND	0 mm
N° HOLES 6	Ø 1,2 mm	PISTONS N° HOLES 6 Ø 1,4 mm
<input checked="" type="checkbox"/> BLADDER	SEAL	<input type="checkbox"/> BLADDER
<input type="checkbox"/> EMULSION	TYPE	<input type="checkbox"/> EMULSION

FRONT ANTI-ROLL BARS		REAR
<input type="checkbox"/>	<input type="checkbox"/>	<input checked="" type="checkbox"/>
1.8	2.0	2.3
2.5	2.7	1.8
2.0	2.3	2.5
2.7		2.7

DIFFERENTIAL OIL

FRONT DIFF	CENTER DIFF	REAR DIFF
10000 cst	10000 cst	7000 cst

GEARING

CLUTCH BELL	13 Teeth	SPUR GEAR	46 Teeth
-------------	----------	-----------	----------

CLUTCH

<input checked="" type="checkbox"/> STANDARD	<input type="checkbox"/> VENTED	<input type="checkbox"/> STEEL	<input checked="" type="checkbox"/> ALU
CLUTCH SHOES		CLUTCH SPRINGS	
SHOE TYPE	carbon	x	4 with SPRINGS TYPE 0,9 mm
SHOE TYPE		x	with SPRINGS TYPE mm

ENGINE, PIPE AND FUEL

ENGINE BRAND	Bullit	TYPE	B-220
HEADSHIMS	0,2 mm	GLOWPLUG	P3 CARB Ø 6,5 mm
EXHAUST PIPE	Bullit 2089	MANIFOLD	Bullit
FUEL BRAND	Hotfire	NITRO	23 %

FLEX CONFIGURATION

ENGINE MOUNT	<input checked="" type="checkbox"/> STANDARD	<input type="checkbox"/> MONOBLOCK
--------------	--	------------------------------------

AERODYNAMIC CONFIGURATION

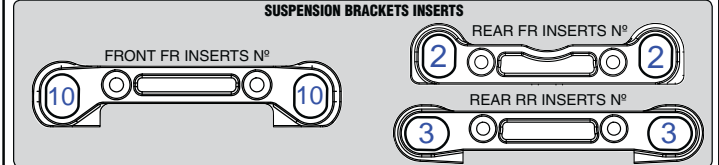
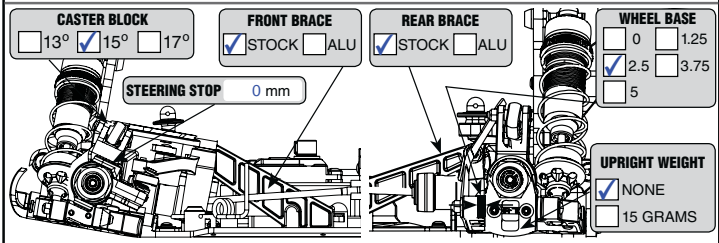
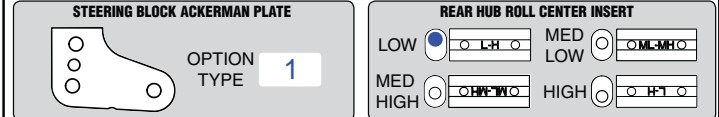
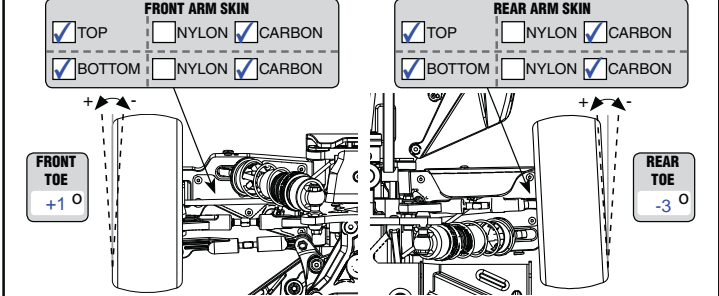
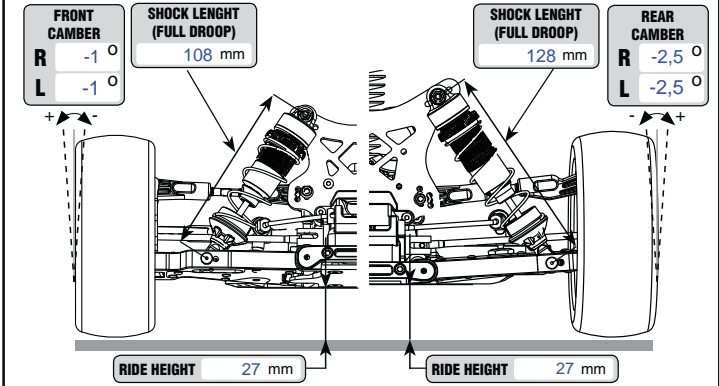
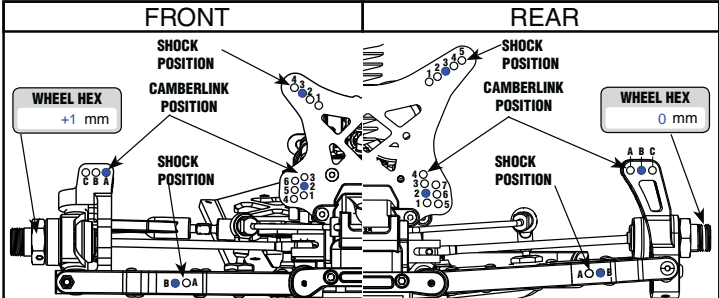
BODY STANDARD HIGH DOWNFORCE OTHER Serpent 600718

WING

TYPE Serpent 600825 WING PLATES 2° 4° 6°

GURNEY STRIP YES NO CENTER FOIL YES NO

FRONT TIRES	Controlled Tire	REAR
Sweep	MAKE	Sweep
Cubix Silver	TYPE	Cubix Silver
Sweep	INSERTS	Sweep
Sweep	WHEELS	Sweep



REMARKS

Best lap Per Carlsson 33,4.
TQ car 1 in semi A came second. Best Qualy 9L 12s.
Car 2 in final and win with 10 seconds. Car was great, this is a good basic setup. Drove Sweep Cubix Silver all day.