

DRIVER, TRACK AND RESULTS

DRIVER Griffin Hanna **COUNTRY** USA **WEATHER** AIR TEMP 104 TRACK TEMP DRY INTERMEDIATE WET
RACE Roar E nationals **DATE** 23-7-207 **QUALY POS.** **STARTING POS.** **FINAL POS.** **FASTEST LAP**
TRACK Silver Dollar **TYPE** TIGHT MEDIUM OPEN **GRIP** LOW MEDIUM HIGH
SURFACE CONDITION SMOOTH ROUGH
TYPE HARD PACKED CLAY MULTI/SURFACE GRASS BLUE GROOVE DIRT ASTRO-TURF

FRONT SHOCK ABSORBERS		REAR
375 cst	OIL	325 cst
Blue V3	SPRINGS	Orange V3
10 mm	REBOUND	10 mm
N° HOLES 6	Ø 1.3 mm	PISTONS N° HOLES 6 Ø 1.4 mm
<input checked="" type="checkbox"/> BLADDER <input type="checkbox"/> EMULSION	SEAL TYPE	<input checked="" type="checkbox"/> BLADDER <input type="checkbox"/> EMULSION

FRONT ANTI-ROLL BARS		REAR
<input type="checkbox"/> 1.8	<input type="checkbox"/> 2.0	<input type="checkbox"/> 1.8
<input type="checkbox"/> 2.3	<input checked="" type="checkbox"/> 2.5	<input type="checkbox"/> 2.0
<input type="checkbox"/> 2.7	<input type="checkbox"/> 3.0	<input checked="" type="checkbox"/> 2.3
<input type="checkbox"/> 2.5	<input type="checkbox"/> 2.7	<input type="checkbox"/> 2.5
<input type="checkbox"/> 2.7	<input type="checkbox"/> 3.0	<input type="checkbox"/> 2.7
<input type="checkbox"/> 3.0	<input type="checkbox"/> 3.0	<input type="checkbox"/> 3.0

DIFFERENTIAL OIL		
FRONT DIFF	CENTER DIFF	REAR DIFF
7000 cst	10000 cst	3000 cst

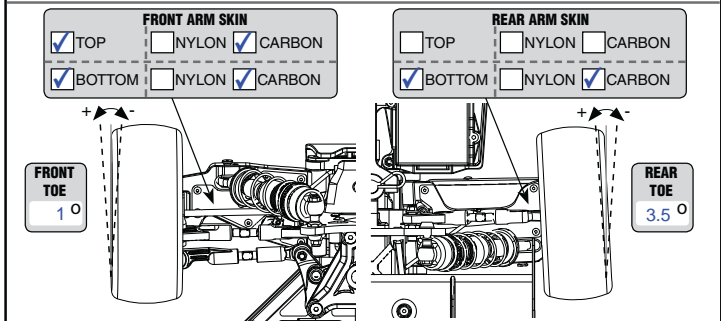
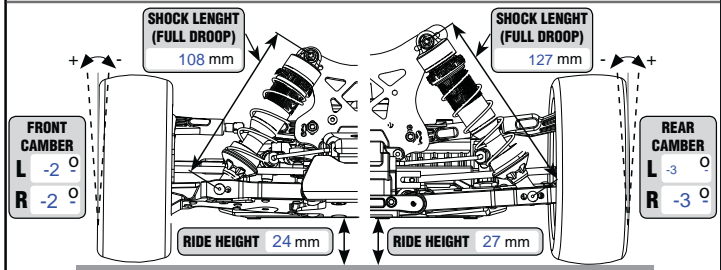
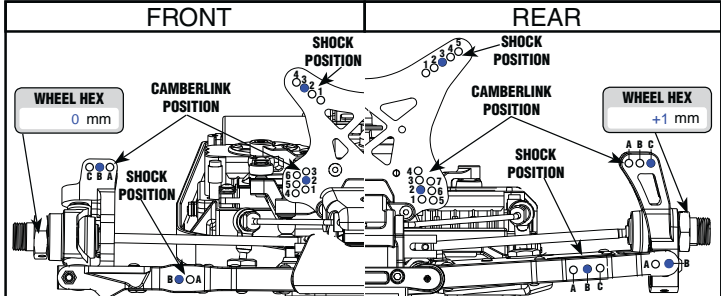
GEARING	
PINION	16 Teeth
SPUR GEAR	44 Teeth

ELECTRONICS	
BATTERY	
BRAND	CAPACITY mAh
MOTOR	
BRAND	TYPE TIMING
ESC	
BRAND	TYPE

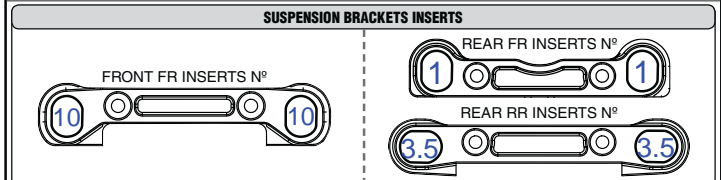
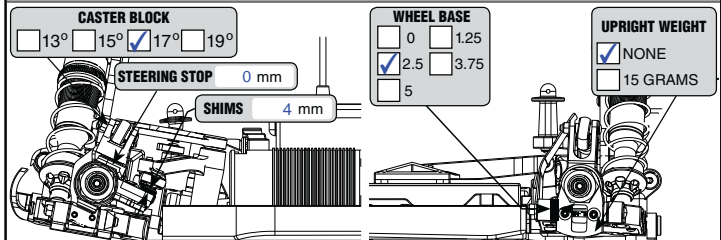
ELECTRONICS LAYOUTS	
<input type="checkbox"/> LAYOUT 1	<input checked="" type="checkbox"/> LAYOUT 2
<input type="checkbox"/> 2S STICK BATTERIES	<input checked="" type="checkbox"/> 4S BRICK BATTERY
<input type="checkbox"/> 2S SHORTY REARWARD BATTERIES	<input type="checkbox"/> 2S STICK BATTERIES
<input type="checkbox"/> 2S SHORTY FORWARD BATTERIES	<input type="checkbox"/> 2S SHORTY REARWARD BATTERIES
	<input type="checkbox"/> 2S SHORTY FORWARD BATTERIES

AERODYNAMIC CONFIGURATION	
BODY	<input checked="" type="checkbox"/> STANDARD <input type="checkbox"/> HIGH DOWNFORCE <input type="checkbox"/> OTHER Serpent 600942
WING	
TYPE	Serpent 600825
WING PLATES	<input type="checkbox"/> 2° <input checked="" type="checkbox"/> 4° <input type="checkbox"/> 6°
GURNEY STRIP	<input type="checkbox"/> YES <input checked="" type="checkbox"/> NO
CENTER FOIL	<input type="checkbox"/> YES <input checked="" type="checkbox"/> NO

FRONT TIRES	Controlled Tire	REAR
MAKE	<input type="checkbox"/>	
TYPE		
INSERTS		
WHEELS		



STEERING BLOCK ACKERMAN PLATE	REAR HUB ROLL CENTER INSERT
OPTION TYPE 2	LOW <input type="checkbox"/> L-H <input type="checkbox"/> MED LOW <input type="checkbox"/> M-M <input type="checkbox"/> HIGH <input type="checkbox"/> H-P <input type="checkbox"/> H-T <input type="checkbox"/>



REMARKS