

DRIVER, TRACK AND RESULTS

DRIVER Anthony Abisset **COUNTRY** France **WEATHER** AIR TEMP 35 TRACK TEMP 50 DRY INTERMEDIATE WET
TRACK Monteux **TRACTION** LOW MEDIUM HIGH **COMMENTS** Best lap 15.91
RACE WC Practice **DATE** 12/18-8-2017 **QUALY POS.** **QUALY TIME** **STARTING POS.** **FINAL POS.**

1ST SPUR GEARS **2ND**
 61 62 63 56 57 58

1ST PINION **2ND**
 18 19 20 23 24 25

FRONT SHOCK ABSORBERS **REAR**
 700 cst OIL 900 cst
 Green SPRINGS Pink
 2 mm REBOUND 2 mm

ANTI-ROLL BARS
 FRONT ANTI-ROLL BAR 2 REAR ANTI-ROLL BAR 2

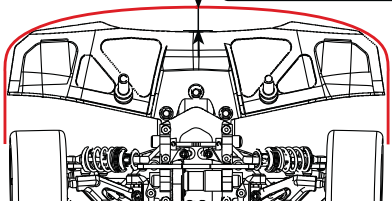
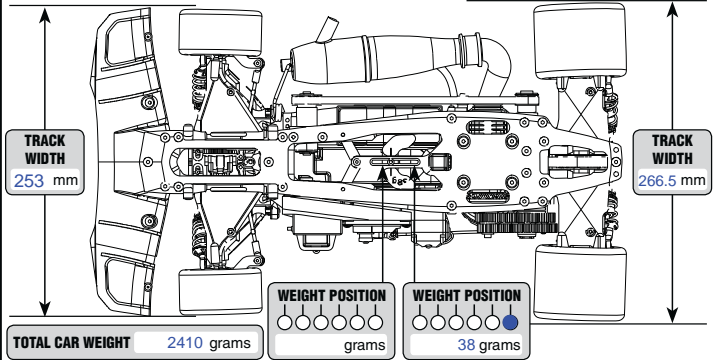
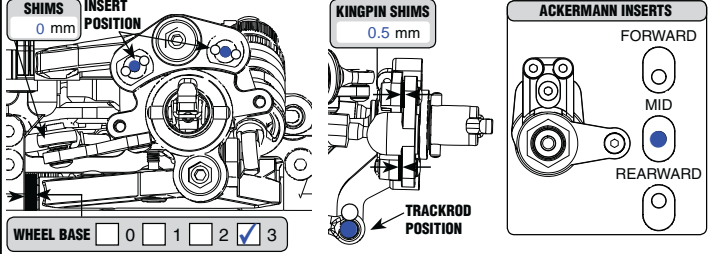
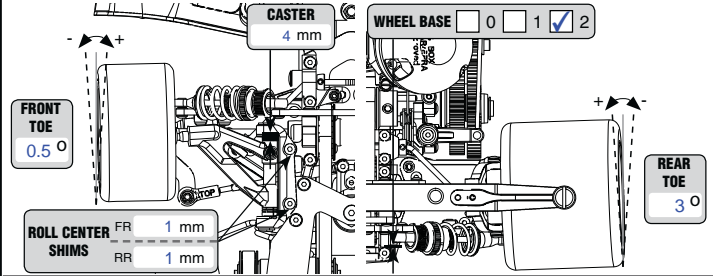
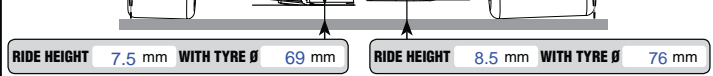
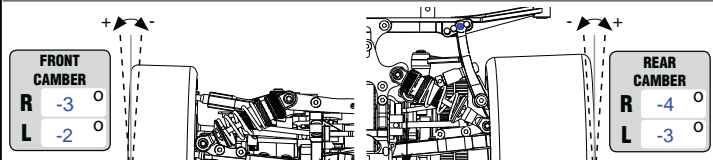
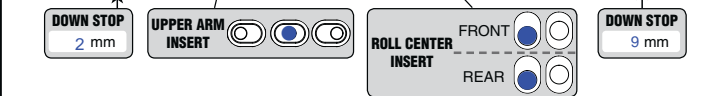
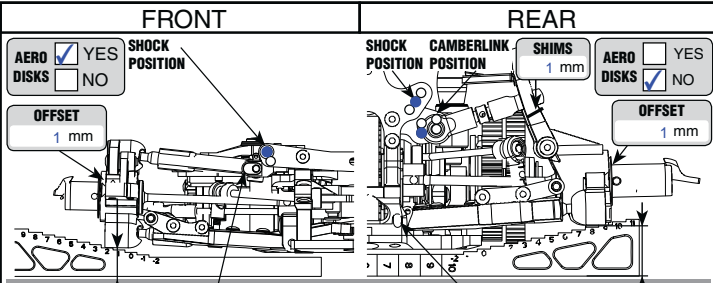
FRONT TYRES Controlled Tyre **REAR**
 Matrix MAKE Matrix
 32 SHORE 35
 69 DIAMETER 76
 5-MIN WEAR

POWER PACK
ENGINE
 BRAND Picco TYPE R1 WC
 GLOWPLUG 7 CARBØ 9 mm HEAD CLEARANCE 0.45 mm
EXHAUST
 PIPE Picco 2116 MANIFOLD Picco Medium
FUEL
 BRAND Runner Time NITRO 16%

CLUTCH
 CLUTCH BELL ALU STEEL CLUTCH SHOE RED YELLOW BLACK
 CLUTCH SPRING X-Hard CLUTCH BELL GAP 0.65 mm

FLEX CONFIGURATION
FR WISHBONES INSERTS **RR WISHBONES INSERTS** **FLEX**
 PLASTIC CARBON PLASTIC CARBON YES NO

AERODYNAMIC CONFIGURATION
 BODY BRAND Protoform BODY POSITION 100 from the rear mm
 BODY TYPE R19
 BUMPER INSERTS OPEN CLOSE
 AIR TRIM POSITION mm

REMARKS