

DRIVER, TRACK AND RESULTS

DRIVER Carlos Durães **COUNTRY** Spain **WEATHER** AIR TEMP 25° TRACK TEMP DRY INTERMEDIATE WET
RACE Buggyland **DATE** _____ **QUALY POS.** 12 **STARTING POS.** 12° **FINAL POS.** 10° **FASTEST LAP** 39.7
TRACK Maçainhas **TYPE** TIGHT MEDIUM OPEN **GRIP** LOW MEDIUM HIGH
SURFACE CONDITION SMOOTH ROUGH
TYPE HARD PACKED CLAY MULTI/SURFACE GRASS BLUE GROOVE DIRT ASTRO-TURF

FRONT SHOCK ABSORBERS		REAR
50WT cst	OIL	30WT cst
Green V3	SPRINGS	Pink V3
10 mm	REBOUND	10 mm
N° HOLES 8	Ø 1.3 mm	PISTONS N° HOLES 8 Ø 1.3 mm
<input checked="" type="checkbox"/> BLADDER <input type="checkbox"/> EMULSION	SEAL TYPE	<input checked="" type="checkbox"/> BLADDER <input type="checkbox"/> EMULSION

FRONT ANTI-ROLL BARS		REAR
<input type="checkbox"/> 1.8	<input type="checkbox"/> 2.0	<input checked="" type="checkbox"/> 2.3
<input type="checkbox"/> 2.5	<input type="checkbox"/> 2.7	<input type="checkbox"/> 3.0

DIFFERENTIAL OIL		
FRONT DIFF	CENTER DIFF	REAR DIFF
30000 cst	30000 cst	15000 cst

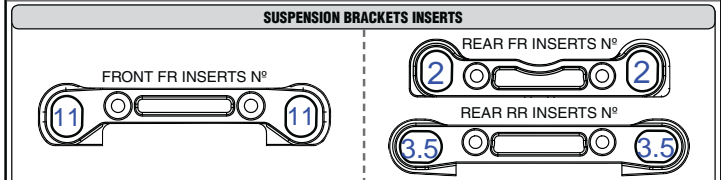
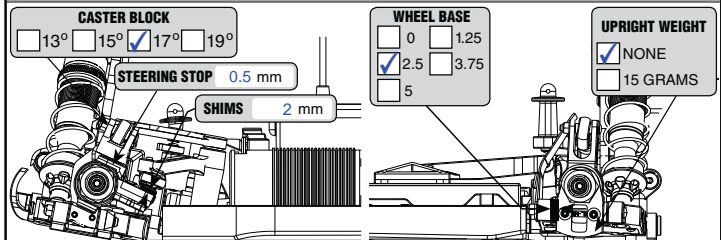
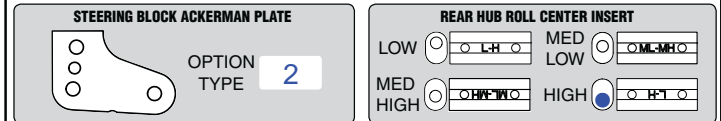
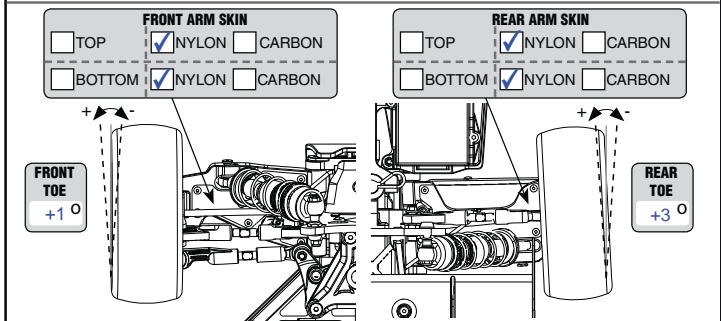
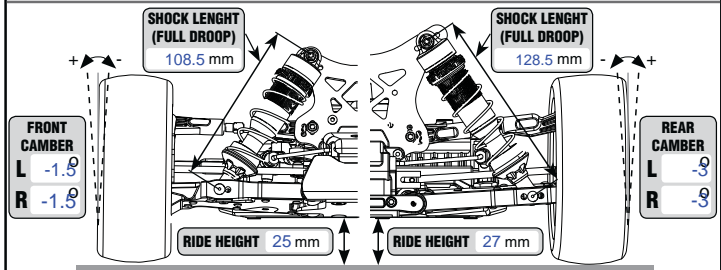
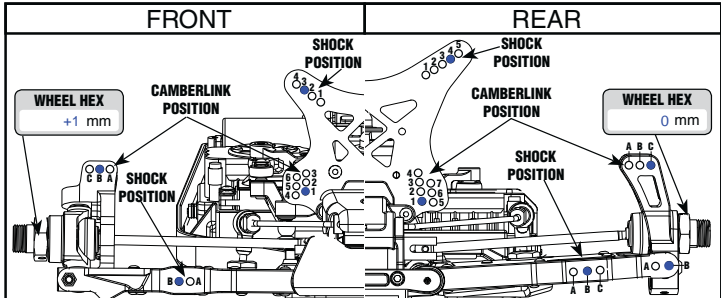
GEARING	
PINION	14 Teeth
SPUR GEAR	46 Teeth

ELECTRONICS	
BATTERY	
BRAND	Corally
CAPACITY	mAh
MOTOR	
BRAND	Hobbywing
TYPE	TIMING
ESC	
BRAND	Hobbywing
TYPE	

ELECTRONICS LAYOUTS	
<input type="checkbox"/> LAYOUT 1	<input checked="" type="checkbox"/> LAYOUT 2
<input type="checkbox"/> 2S STICK BATTERIES	<input type="checkbox"/> 4S BRICK BATTERY
<input type="checkbox"/> 2S SHORTY REARWARD BATTERIES	<input type="checkbox"/> 2S STICK BATTERIES
<input type="checkbox"/> 2S SHORTY FORWARD BATTERIES	<input type="checkbox"/> 2S SHORTY REARWARD BATTERIES
	<input type="checkbox"/> 2S SHORTY FORWARD BATTERIES

AERODYNAMIC CONFIGURATION	
BODY	<input type="checkbox"/> STANDARD <input checked="" type="checkbox"/> HIGH DOWNFORCE <input type="checkbox"/> OTHER 600942
WING	
TYPE	600825
WING PLATES	<input type="checkbox"/> 2° <input checked="" type="checkbox"/> 4° <input type="checkbox"/> 6°
GURNEY STRIP	<input type="checkbox"/> YES <input checked="" type="checkbox"/> NO
CENTER FOIL	<input type="checkbox"/> YES <input checked="" type="checkbox"/> NO

FRONT TIRES	Controlled Tire	REAR
AKA	MAKE	AKA
Gridiron Soft	TYPE	Gridiron soft
RED	INSERTS	RED
AKA	WHEELS	AKA



REMARKS