

DRIVER, TRACK AND RESULTS

DRIVER Carlos Durães	COUNTRY Spain	WEATHER AIR TEMP 24 TRACK TEMP <input checked="" type="checkbox"/> DRY <input type="checkbox"/> INTERMEDIATE <input type="checkbox"/> WET
RACE Buggyland	DATE	QUALY POS. 8 STARTING POS. 9 FINAL POS. 8 FASTEST LAP 39.8
TRACK Freixedas	TYPE <input checked="" type="checkbox"/> TIGHT <input type="checkbox"/> MEDIUM <input type="checkbox"/> OPEN	GRIP <input type="checkbox"/> LOW <input type="checkbox"/> MEDIUM <input type="checkbox"/> HIGH
SURFACE CONDITION <input checked="" type="checkbox"/> SMOOTH <input type="checkbox"/> ROUGH		
TYPE <input checked="" type="checkbox"/> HARD PACKED <input type="checkbox"/> CLAY <input type="checkbox"/> MULTI/SURFACE <input type="checkbox"/> GRASS <input type="checkbox"/> BLUE GROOVE <input type="checkbox"/> DIRT <input type="checkbox"/> ASTRO-TURF		

FRONT SHOCK ABSORBERS		REAR
50WT cst	OIL	32.5WT cst
Blue V3	SPRINGS	Red V3
10 mm	REBOUND	10 mm
N° HOLES 8	Ø 1.3 mm PISTONS	N° HOLES 8 Ø 1.3 mm
<input checked="" type="checkbox"/> BLADDER	SEAL TYPE	<input type="checkbox"/> BLADDER
<input type="checkbox"/> EMULSION		<input type="checkbox"/> EMULSION

ANTI-ROLL BARS	
FRONT ANTI-ROLL BAR	REAR ANTI-ROLL BAR
2.5 mm	2.5 mm

DIFFERENTIAL OIL		
FRONT DIFF	CENTER DIFF	REAR DIFF
30000 cst	30000 cst	15000 cst

GEARING	
CLUTCH BELL	SPUR GEAR
14 Teeth	48 Teeth

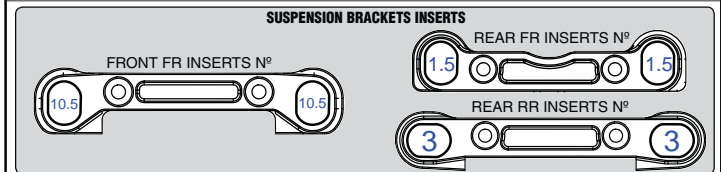
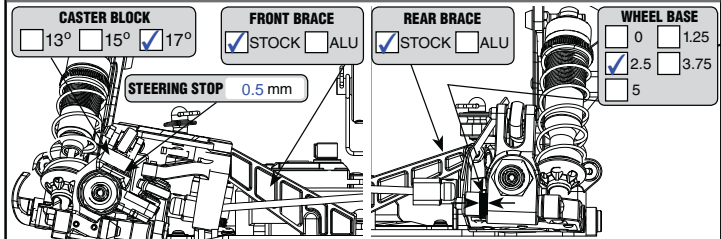
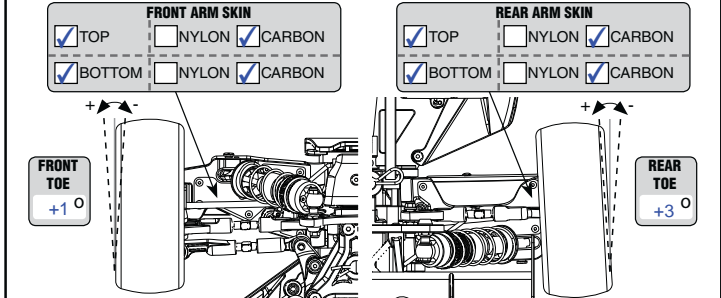
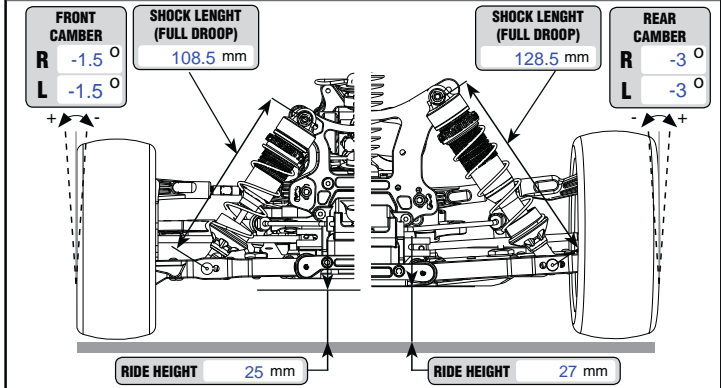
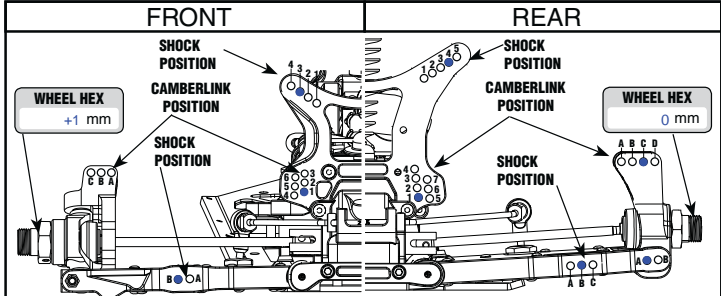
CLUTCH	
<input checked="" type="checkbox"/> STANDARD <input type="checkbox"/> VENTED	<input type="checkbox"/> STEEL <input checked="" type="checkbox"/> ALU
CLUTCH SHOES	CLUTCH SPRINGS
SHOE TYPE alu x 4 with	SPRINGS TYPE 1.0 mm
SHOE TYPE x with	SPRINGS TYPE mm

ENGINE, PIPE AND FUEL			
ENGINE BRAND OS	TYPE Spec 2		
HEADSHIMS mm	GLOWPLUG P3	CARB Ø 6mm	
EXHAUST PIPE 2060	MANIFOLD Original		
FUEL BRAND Nitrolux	NITRO 25 %		

FLEX CONFIGURATION	
ENGINE MOUNT	<input type="checkbox"/> STANDARD <input checked="" type="checkbox"/> MONOBLOCK

AERODYNAMIC CONFIGURATION	
BODY <input type="checkbox"/> STANDARD <input type="checkbox"/> HIGH DOWNFORCE <input checked="" type="checkbox"/> OTHER	Duraes made
WING	
TYPE Serpent 600825	WING PLATES <input type="checkbox"/> 2° <input checked="" type="checkbox"/> 4° <input type="checkbox"/> 6°
GURNEY STRIP <input type="checkbox"/> YES <input type="checkbox"/> NO	CENTER FOIL <input type="checkbox"/> YES <input type="checkbox"/> NO

FRONT TIRES		REAR
AKA	MAKE	AKA
Zips Soft Regular	TYPE	Zips Soft Regular
Red	INSERTS	Red
White	WHEELS	White



REMARKS 10 gr at het rear of the chassis