

DRIVER, TRACK AND RESULTS

DRIVER Han-Young, Jeon **COUNTRY** Korea **WEATHER** AIR TEMP 26 TRACK TEMP DRY INTERMEDIATE WET
RACE 2017 KMRCA 1/8 GP BUGGY **DATE** 2017/09/17 **QUALY POS.** 3 **STARTING POS.** 2 **FINAL POS.** 3 **FASTEST LAP** 25.567
TRACK Banweol Park **TYPE** TIGHT MEDIUM OPEN **GRIP** LOW MEDIUM HIGH
SURFACE CONDITION SMOOTH ROUGH
TYPE HARD PACKED CLAY MULTI/SURFACE GRASS BLUE GROOVE DIRT ASTRO-TURF

FRONT SHOCK ABSORBERS		REAR
650 cst	OIL	450 cst
BLUE	SPRINGS	BLUE
0 mm	REBOUND	0 mm
N° HOLES 8	Ø 1.3 mm	PISTONS N° HOLES 8 Ø 1.3 mm
<input checked="" type="checkbox"/> BLADDER	SEAL TYPE	<input type="checkbox"/> BLADDER
<input type="checkbox"/> EMULSION		<input type="checkbox"/> EMULSION

FRONT ANTI-ROLL BARS		REAR
<input type="checkbox"/>	<input checked="" type="checkbox"/>	<input checked="" type="checkbox"/>
1.8	2.0 2.3 2.5 2.7	1.8 2.0 2.3 2.5 2.7

DIFFERENTIAL OIL		
FRONT DIFF	CENTER DIFF	REAR DIFF
10000 cst	7000 cst	2000 cst

GEARING	
CLUTCH BELL	13 Teeth
SPUR GEAR	47 Teeth

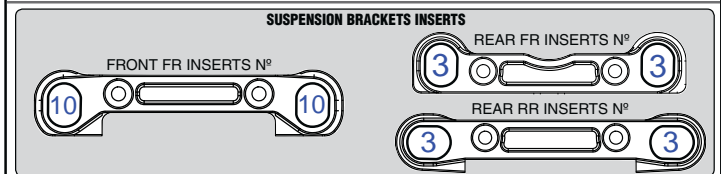
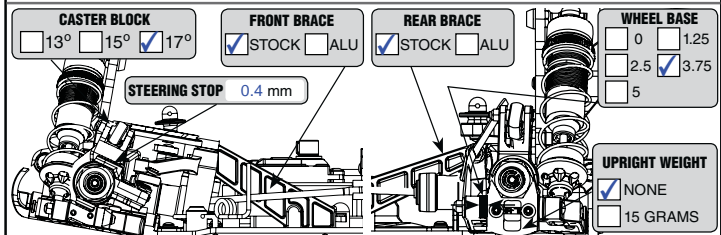
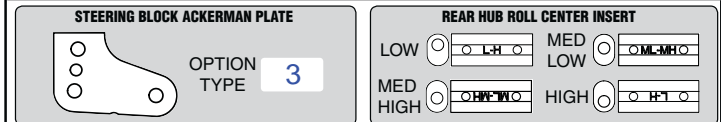
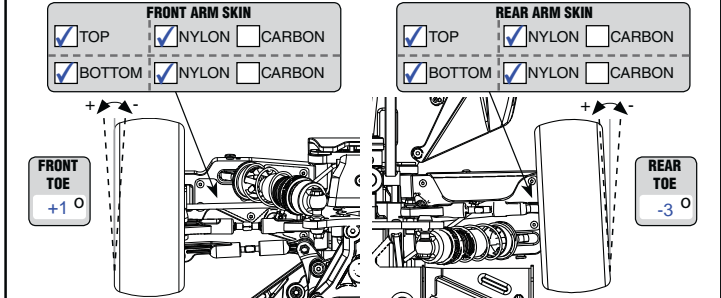
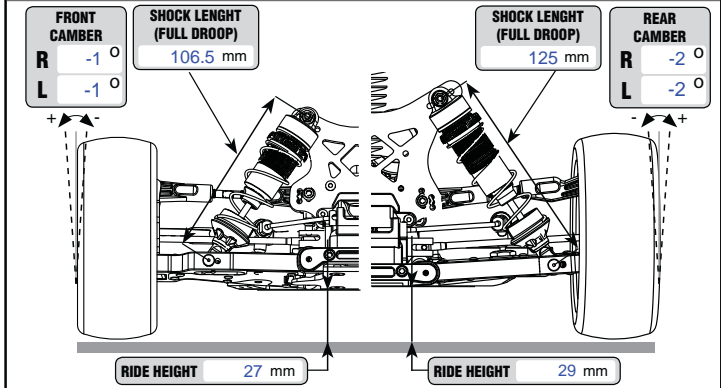
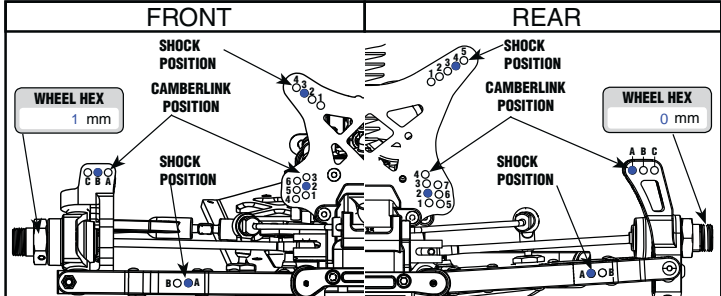
CLUTCH	
<input type="checkbox"/> STANDARD	<input checked="" type="checkbox"/> VENTED
<input type="checkbox"/> STEEL	<input checked="" type="checkbox"/> ALU
CLUTCH SHOES	CLUTCH SPRINGS
SHOE TYPE _____ x _____	with SPRINGS TYPE _____ mm
SHOE TYPE _____ x _____	with SPRINGS TYPE _____ mm

ENGINE, PIPE AND FUEL			
ENGINE BRAND	REDS	TYPE	WR7
HEADSHIMS	0.5 mm	GLOWPLUG	TS3 CARB Ø 6.5 mm
EXHAUST PIPE	2104	MANIFOLD	S
FUEL BRAND	SIDEWINDER	NITRO	25 %

FLEX CONFIGURATION	
ENGINE MOUNT	<input type="checkbox"/> STANDARD <input checked="" type="checkbox"/> MONOBLOCK

AERODYNAMIC CONFIGURATION	
BODY	<input checked="" type="checkbox"/> STANDARD <input type="checkbox"/> HIGH DOWNFORCE <input type="checkbox"/> OTHER
WING	
TYPE	SERPENT WING PLATES <input type="checkbox"/> 2° <input checked="" type="checkbox"/> 4° <input type="checkbox"/> 6°
GURNEY STRIP	<input type="checkbox"/> YES <input type="checkbox"/> NO CENTER FOIL <input type="checkbox"/> YES <input type="checkbox"/> NO

FRONT TIRES		Controlled Tire	REAR
Sweep	MAKE		Sweep
Defender / Yellow	TYPE		Defender / Yellow
INSERTS			
WHEELS			



REMARKS Upright (2) SRX8 (#600973)
 REDS 4-shoe Clutch System