

## DRIVER, TRACK AND RESULTS

**DRIVER** Dominic Greiner **COUNTRY** Italy **WEATHER** AIR TEMP 20 TRACK TEMP 25  DRY  INTERMEDIATE  WET  
**TRACK** Fiorano **TRACTION**  LOW  MEDIUM  HIGH **COMMENTS**  
**RACE** ENS Rd.4 **DATE** 1-10-2017 **QUALY POS.** 1 **QUALY TIME** **STARTING POS.** 1 **FINAL POS.** 1

FRONT	DRIVE TRAIN	REAR
<input type="checkbox"/> GEAR DIFF <u>2.000.000</u> cst	GEAR DIFF <u>100.000</u> cst	
<input type="checkbox"/> SPOOL		

1ST	SPUR GEARS	2ND
<input checked="" type="checkbox"/> 58 <input type="checkbox"/> 59 <input type="checkbox"/> 60	<input checked="" type="checkbox"/> 53 <input type="checkbox"/> 54 <input type="checkbox"/> 55	

1ST	PINION	2ND
<input type="checkbox"/> 15 <input checked="" type="checkbox"/> 16 <input type="checkbox"/> 17	<input type="checkbox"/> 20 <input checked="" type="checkbox"/> 21 <input type="checkbox"/> 22	

FRONT	SHOCK ABSORBERS	REAR
<u>900</u> cst	<u>OIL</u>	<u>900</u> cst
<u>red</u>	<u>SPRINGS</u>	<u>red</u>
<u>8</u> mm	<u>REBOUND</u>	<u>8</u> mm
<input type="checkbox"/> <input type="checkbox"/> <input checked="" type="checkbox"/> <input type="checkbox"/> <input type="checkbox"/>		<input type="checkbox"/> <input type="checkbox"/> <input checked="" type="checkbox"/> <input type="checkbox"/> <input type="checkbox"/>

FRONT	ANTI-ROLL BARS	REAR
<input type="checkbox"/> 1.8 <input type="checkbox"/> 2.2 <input type="checkbox"/> 2.5 <input checked="" type="checkbox"/> 2.8	<input type="checkbox"/> 1.6 <input type="checkbox"/> 1.8 <input type="checkbox"/> 2.0 <input checked="" type="checkbox"/> 2.2 <input type="checkbox"/> 2.5	

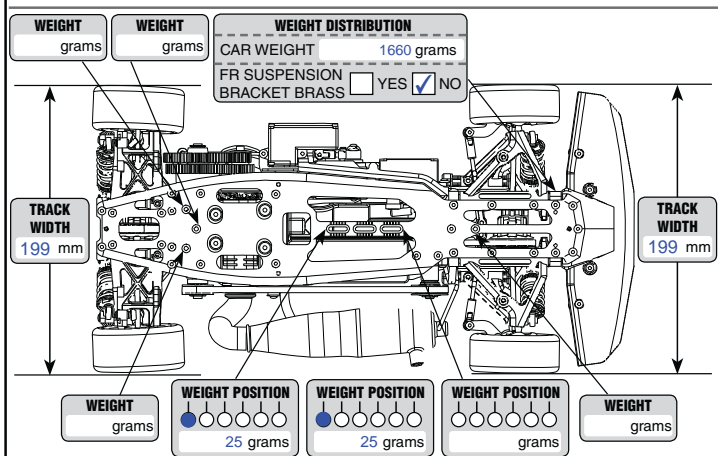
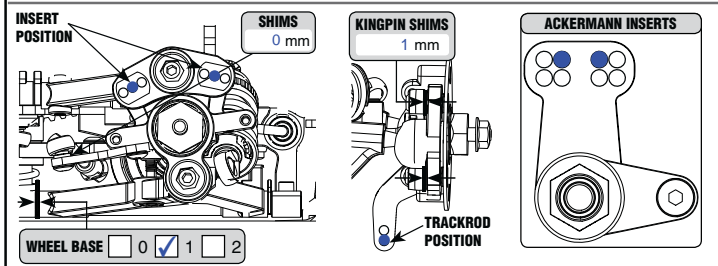
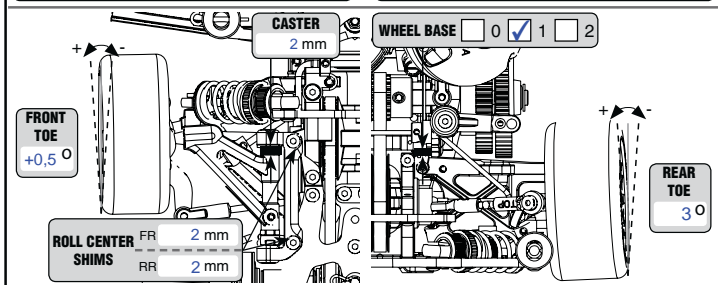
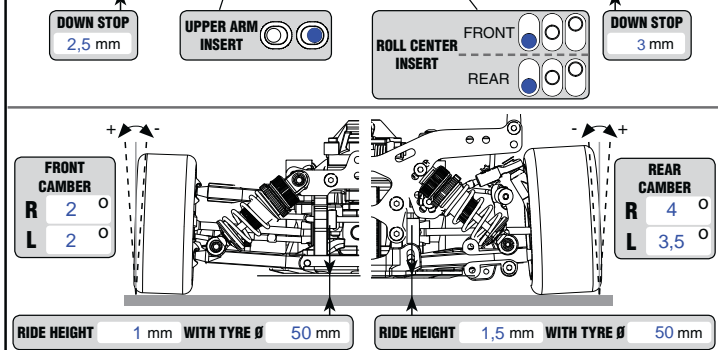
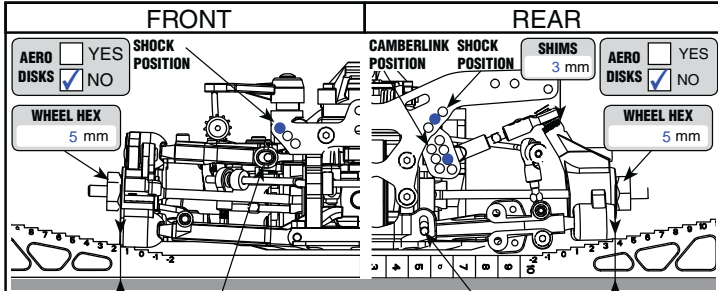
FRONT	TYRES	Controlled Tyre	REAR
<u>Matrix</u>	<u>MAKE</u>	<input checked="" type="checkbox"/>	<u>Matrix</u>
<u>35</u>	<u>SHORE</u>		<u>37</u>
<u>62</u>	<u>DIAMETER</u>		<u>64</u>
	<u>5-MIN WEAR</u>		

POWER PACK	
<b>ENGINE</b>	
BRAND <u>Novarossi</u>	TYPE <u>Mito WC</u>
GLOWPLUG <u>TGFB6</u>	CARBØ <u>5,5</u> mm HEAD CLEARANCE mm
<b>EXAUSHT</b>	
PIPE <u>2660</u>	MANIFOLD <u>short</u>
<b>FUEL</b>	
BRAND <u>RunnerTime</u>	NITRO <u>16</u>

CLUTCH	
CLUTCH BELL <input checked="" type="checkbox"/> ALU <input type="checkbox"/> STEEL	CLUTCH SHOE <input type="checkbox"/> RED <input checked="" type="checkbox"/> YELLOW <input type="checkbox"/> BLACK
CLUTCH SPRING <u>X-spring</u>	CLUTCH BELL GAP <u>0,5</u> mm

FLEX CONFIGURATION	
CHASSIS STIFFENER <input checked="" type="checkbox"/> YES <input type="checkbox"/> NO	FLEX <input type="checkbox"/> YES <input checked="" type="checkbox"/> NO

AERODYNAMIC CONFIGURATION	
BODY BRAND <u>SRC</u>	BODY POSITION <u>8</u> mm
BODY TYPE <u>Spark</u>	
BUMPERS HOLES <input type="checkbox"/> YES <input checked="" type="checkbox"/> NO	



**REMARKS** Setup with Arrowmax System, Arrowmax Oil, Arrowmax titan screws on the top, xrd alu clutch bell,