

## DRIVER, TRACK AND RESULTS

DRIVER **Desoto Jr** COUNTRY **USA** WEATHER AIR TEMP **75** TRACK TEMP **95**  DRY  INTERMEDIATE  WET

TRACK **Lincoln** TRACTION  LOW  MEDIUM  HIGH COMMENTS **2017 ROAR Nationals**

RACE **2017 ROAR Nat** DATE **09/29/17** QUALY POS. **1st** QUALY TIME **24 5:06** STARTING POS. **1st** FINAL POS. **1st**

1ST SPUR GEARS		2ND	
<input type="checkbox"/> 61	<input type="checkbox"/> 62	<input type="checkbox"/> 63	<input checked="" type="checkbox"/> 56
<input type="checkbox"/> 57	<input type="checkbox"/> 58		

1ST PINION		2ND	
<input type="checkbox"/> 18	<input type="checkbox"/> 19	<input type="checkbox"/> 20	<input checked="" type="checkbox"/> 23
<input type="checkbox"/> 24	<input type="checkbox"/> 25		

FRONT SHOCK ABSORBERS		REAR	
<b>800</b> cst	<b>OIL</b>	<b>800</b> cst	
<b>Cap 509 Prog.</b> SPRINGS		<b>Pink</b>	
<b>5</b> mm REBOUND		<b>5</b> mm	
<input checked="" type="checkbox"/>	<input type="checkbox"/>	<input checked="" type="checkbox"/>	<input type="checkbox"/>

ANTI-ROLL BARS	
FRONT ANTI-ROLL BAR <b>#2</b>	REAR ANTI-ROLL BAR <b>#3</b>

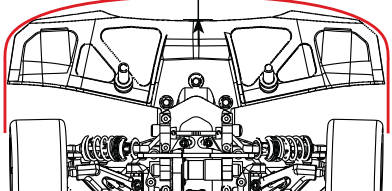
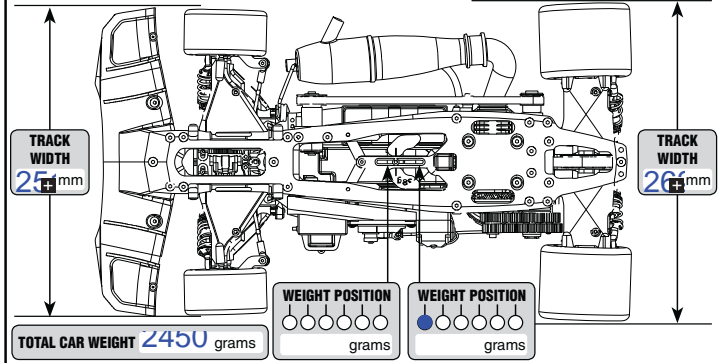
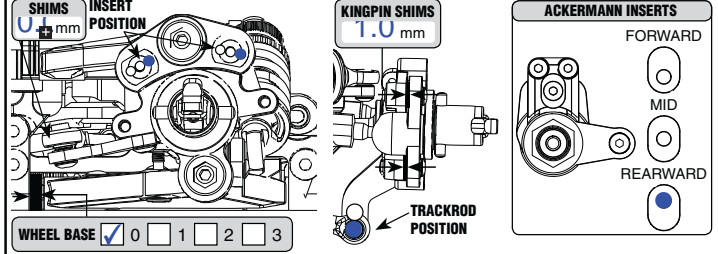
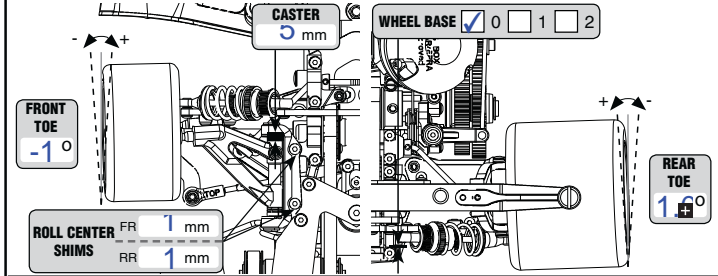
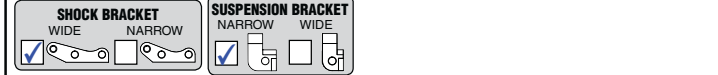
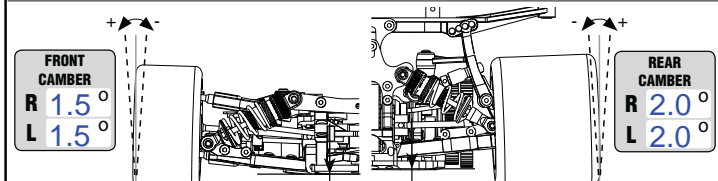
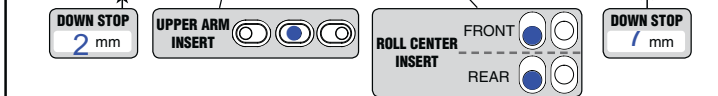
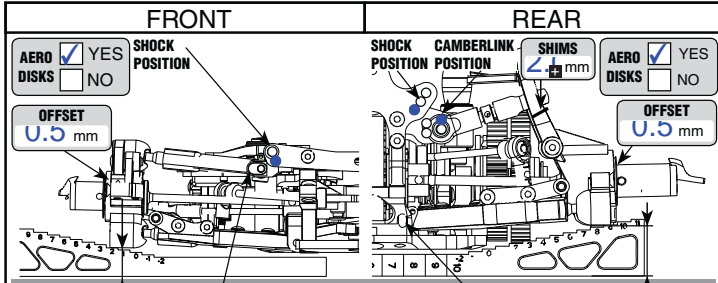
FRONT TYRES		REAR	
<b>Zac</b> MAKE		<b>Zac</b>	
<b>30/32</b> SHORE		<b>35/37</b>	
<b>66</b> DIAMETER		<b>73</b>	
<b>1.7mm</b> 5-MIN WEAR		<b>2.0mm</b>	

POWER PACK	
ENGINE	
BRAND <b>Picco</b> TYPE <b>EMX-WC</b>	
GLOWPLUG <b>GS7</b> CARBØ <b>9</b> mm HEAD CLEARANCE <b>0</b> mm	
EXHAUST	
PIPE <b>Picco 2046</b> MANIFOLD <b>Picco Perform</b>	
FUEL	
BRAND <b>Runner Time</b> NITRO <b>25%</b>	

CLUTCH	
CLUTCH BELL <input checked="" type="checkbox"/> ALU <input type="checkbox"/> STEEL	CLUTCH SHOE <input type="checkbox"/> RED <input checked="" type="checkbox"/> YELLOW <input type="checkbox"/> BLACK
CLUTCH SPRING <b>Spt X-hard</b> CLUTCH BELL GAP <b>0.9</b> mm	

FLEX CONFIGURATION		
FR WISHBONES INSERTS	RR WISHBONES INSERTS	FLEX
<input type="checkbox"/> PLASTIC <input checked="" type="checkbox"/> CARBON	<input type="checkbox"/> PLASTIC <input checked="" type="checkbox"/> CARBON	<input checked="" type="checkbox"/> YES <input type="checkbox"/> NO

AERODYNAMIC CONFIGURATION	
BODY BRAND <b>PF</b>	BODY POSITION <b>15mm</b> mm
BODY TYPE <b>R19</b>	
BUMPER INSERTS <input type="checkbox"/> OPEN <input checked="" type="checkbox"/> CLOSE	
AIR TRIM POSITION <b>12</b> mm	

REMARKS