

## DRIVER, TRACK AND RESULTS

DRIVER **Nicholas Lee** COUNTRY **Xiamen, CH** WEATHER AIR TEMP **25** TRACK TEMP  DRY  INTERMEDIATE  WET

TRACK **ARC, 3 circle** TRACTION  LOW  MEDIUM  HIGH COMMENTS

RACE **Sunpadow Grand** DATE **5th Nov** QUALY POS. **4th** QUALY TIME STARTING POS. **8th** FINAL POS. **4th**

1ST SPUR GEARS		2ND	
<input type="checkbox"/> 61	<input type="checkbox"/> 62	<input checked="" type="checkbox"/> 63	<input type="checkbox"/> 56
<input type="checkbox"/> 57	<input checked="" type="checkbox"/> 58		

1ST PINION		2ND	
<input type="checkbox"/> 18	<input checked="" type="checkbox"/> 19	<input type="checkbox"/> 20	<input type="checkbox"/> 23
<input checked="" type="checkbox"/> 24	<input type="checkbox"/> 25		

FRONT SHOCK ABSORBERS		REAR	
<b>900</b> cst	<b>OIL</b>	<b>900</b> cst	
<b>Purple</b> SPRINGS		<b>Red</b>	
mm REBOUND		mm	
<input type="checkbox"/>	<input checked="" type="checkbox"/>	<input type="checkbox"/>	<input checked="" type="checkbox"/>

ANTI-ROLL BARS	
FRONT ANTI-ROLL BAR	<b>1 line</b>
REAR ANTI-ROLL BAR	<b>3 line</b>

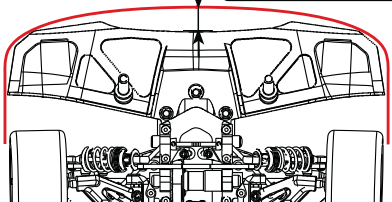
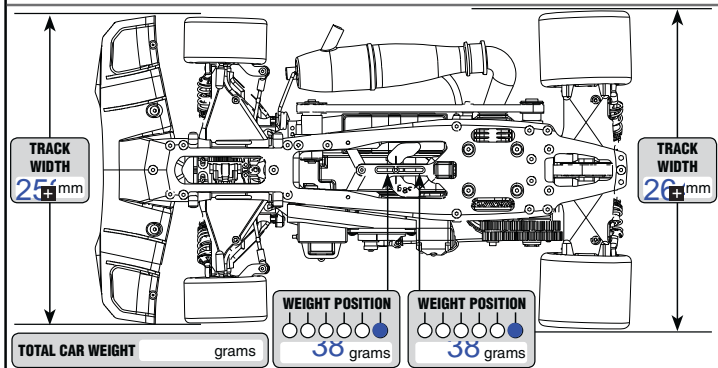
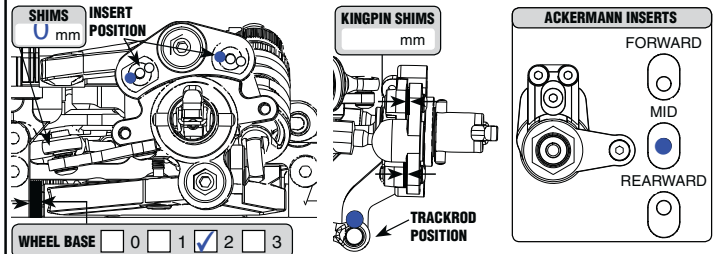
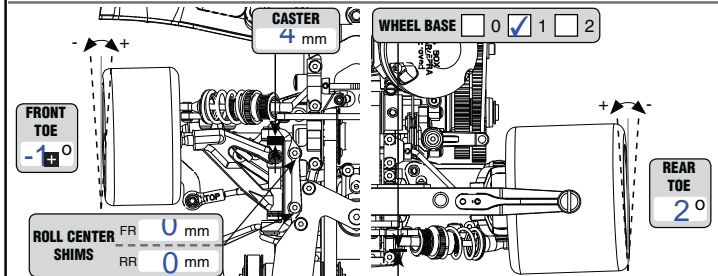
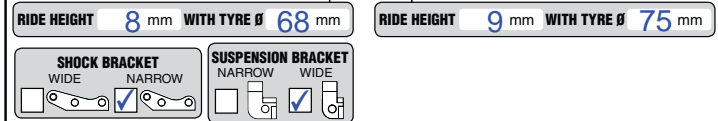
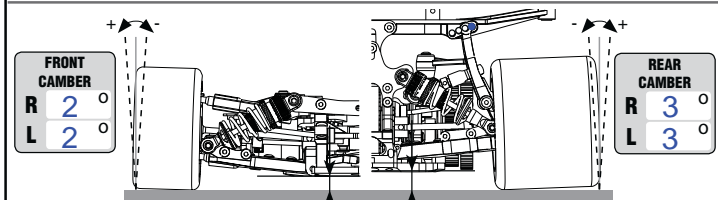
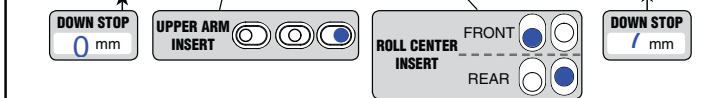
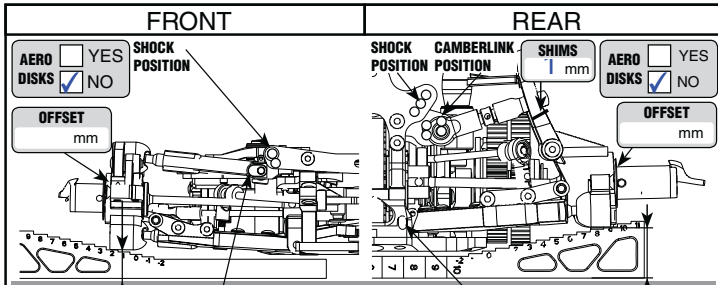
FRONT TYRES	Controlled Tyre	REAR
MAKE	<input checked="" type="checkbox"/>	
SHORE		
DIAMETER		
5-MIN WEAR		

POWER PACK	
ENGINE	
BRAND <b>Novarossi</b>	TYPE <b>Mito 35wc</b>
GLOWPLUG <b>CT8</b>	CARBØ <b>7</b> mm HEAD CLEARANCE mm
EXHAUST	
PIPE <b>2015</b>	MANIFOLD <b>41016</b>
FUEL	
BRAND <b>Runnertime</b>	NITRO

CLUTCH	
CLUTCH BELL	<input checked="" type="checkbox"/> ALU <input type="checkbox"/> STEEL
CLUTCH SHOE	<input type="checkbox"/> RED <input checked="" type="checkbox"/> YELLOW <input type="checkbox"/> BLACK
CLUTCH SPRING	<b>x-hard</b>
CLUTCH BELL GAP	<b>0.6</b> mm

FLEX CONFIGURATION		
FR WISHBONES INSERTS	RR WISHBONES INSERTS	FLEX
<input type="checkbox"/> PLASTIC <input checked="" type="checkbox"/> CARBON	<input type="checkbox"/> PLASTIC <input checked="" type="checkbox"/> CARBON	<input type="checkbox"/> YES <input checked="" type="checkbox"/> NO

AERODYNAMIC CONFIGURATION	
BODY BRAND <b>PF</b>	BODY POSITION <b>16</b> mm
BODY TYPE <b>R18</b>	
BUMPER INSERTS <input type="checkbox"/> OPEN <input checked="" type="checkbox"/> CLOSE	
AIR TRIM POSITION mm	

REMARKS