

DRIVER, TRACK AND RESULTS

DRIVER Billy Easton COUNTRY Xiamen, China **WEATHER** AIR TEMP 80 TRACK TEMP DRY INTERMEDIATE WET

RACE IFMAR Worlds DATE November 15, 2017 **QUALY POS.** **STARTING POS.** **FINAL POS.** **FASTEST LAP**

TRACK 3 Circles RC Arena **TYPE** INDOOR OUTDOOR **STYLE** TIGHT MEDIUM OPEN Open turns with 1.8th jumps

SURFACE GRIP LOW MEDIUM HIGH Medium/High **CONDITION** SMOOTH ROUGH Smooth and Rough

TYPE HARD PACKED CLAY CARPET MULTI/SURFACE GRASS BLUE GROOVE DIRT ASTRO-TURF Sugared

FRONT SHOCK ABSORBERS		REAR
500 cst	OIL	350 cst
AE Gray	SPRINGS	AE Green
4 mm	REBOUND	1.25 mm
86mm Shock length mm	LIMITERS	101mm Shock length mm
N° HOLES 3	Ø 1.4 mm	PISTONS N° HOLES 2
		Ø 1.7 mm
PISTONS TYPE	<input type="checkbox"/> STOCK <input type="checkbox"/> CONICAL <input checked="" type="checkbox"/> SQUARE	
<input type="checkbox"/> SHORT <input checked="" type="checkbox"/> LONG	SPRING BUCKETS <input checked="" type="checkbox"/> SHORT <input type="checkbox"/> LONG	
<input type="checkbox"/> BLADDER <input checked="" type="checkbox"/> EMULSION	SEAL TYPE <input type="checkbox"/> BLADDER <input checked="" type="checkbox"/> EMULSION	

FRONT ANTI-ROLL BARS		REAR
<input type="checkbox"/>	<input type="checkbox"/>	<input type="checkbox"/>
0.9	1	1.1
OTHER mm		OTHER mm
1.1	1.3	1.5

REAR DIFFERENTIAL

BALL DIFFERENTIAL DIFFERENTIAL HEIGHT HIGH MED LOW FIXED

GEAR DIFF cst

GEARING

PINION 22 Teeth SPUR GEAR 80 Teeth

ELECTRONICS

BATTERY BRAND Shorty CAPACITY 3900 mAh

MOTOR BRAND Reedy TYPE 7.0 TIMING 20

ESC BRAND Reedy TYPE 410R

AERODYNAMIC CONFIGURATION

BODY BRAND Serpent TYPE Kit

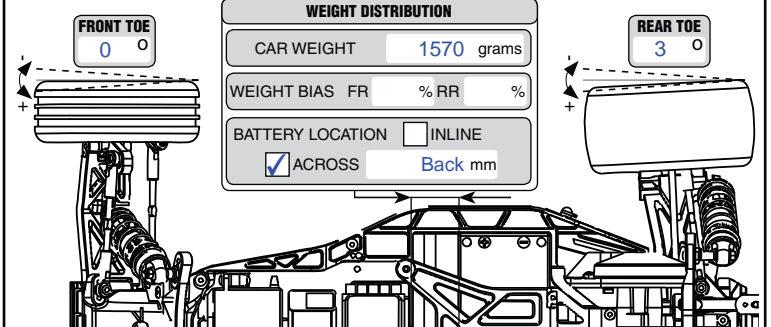
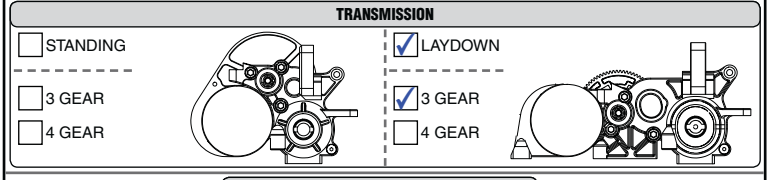
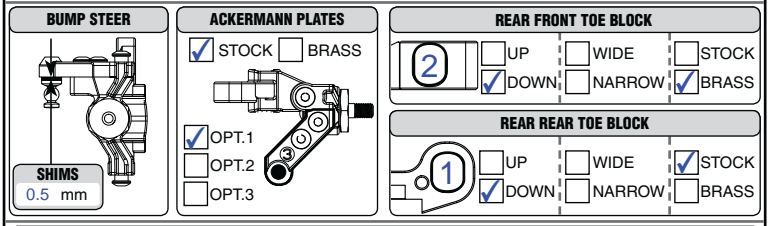
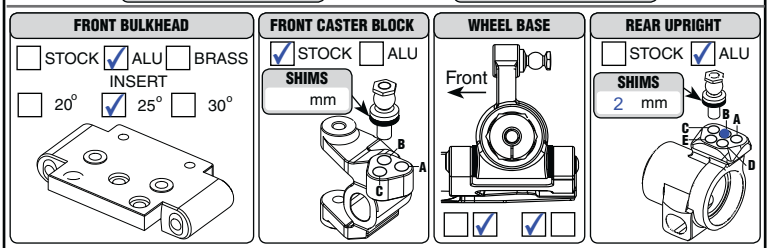
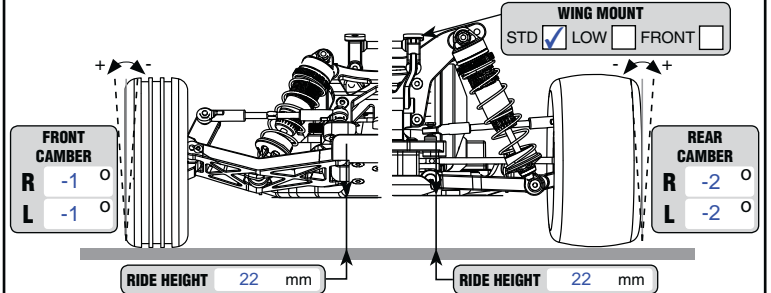
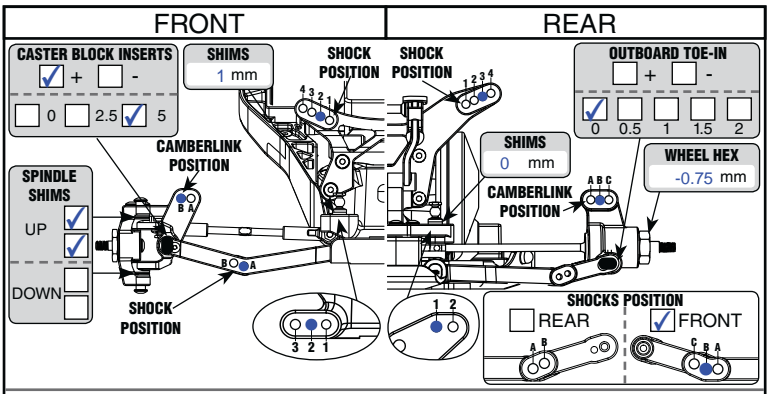
REAR WING BRAND Serpent TYPE Kit

REAR WING WIDTH 6.5 REAR WING LIP 10 mm

REAR WING ANGLE 0° 2° 4° 6° 8°

FRONT WING YES NO TYPE

FRONT TIRES	Controlled Tire	REAR
Sweep	MAKE	Sweep
Tendroid	TYPE	Tendroid
Yellow	COMPOUND	Yellow
Sweep	INSERTS	Sweep
Serpent	WHEELS	Serpent
None	ADDITIVE	None



REMARKS

500537 Wishbone fr L+R SRX2 hard
500540 Wishbone rr L+R long SRX2 MM
500542 Driveshaft rr long (2) SRX2
500176 Shock top (2) SRX2

500488 Shock piston square machined 2-hole 1.3 (4)
500489 Shock piston square machined 3-hole 1.2 (4)
500487 Shock bottom X-ring (8)
No Battery strap-Battery is servo taped in