

## DRIVER, TRACK AND RESULTS

**DRIVER** ALVARO FERNANDEZ **COUNTRY** SPAIN **WEATHER** AIR TEMP **TRACK TEMP**  DRY  INTERMEDIATE  WET

**RACE** BUMPERS INDOOR RACE 5.0 **DATE** 25/02/2018 **QUALY POS.** 7 **STARTING POS.** 7 **FINAL POS.** 5 **FASTEST LAP** 22:359

**TRACK** BIR 5.0 **TYPE**  INDOOR  OUTDOOR **STYLE**  TIGHT  MEDIUM  OPEN

**SURFACE GRIP**  LOW  MEDIUM  HIGH **CONDITION**  SMOOTH  ROUGH

**TYPE**  HARD PACKED  CLAY  CARPET  MULTI/SURFACE  GRASS  BLUE GROOVE  DIRT  ASTRO-TURF

FRONT SHOCK ABSORBERS		REAR	
350 cst	OIL	350 cst	
SPT PINK	SPRINGS	SPT BLUE ASTRO	
mm	REBOUND	mm	
2.0	mm	LIMITERS	2.0 mm
N° HOLES 2	Ø 1.6 mm	PISTONS N° HOLES 2	Ø 1.7 mm
PISTONS TYPE	<input checked="" type="checkbox"/> STOCK <input type="checkbox"/> CONICAL <input type="checkbox"/> SQUARE		
<input type="checkbox"/> SHORT <input checked="" type="checkbox"/> LONG	SPRING BUCKETS	<input checked="" type="checkbox"/> SHORT <input type="checkbox"/> LONG	
<input type="checkbox"/> BLADDER	SEAL TYPE	<input type="checkbox"/> BLADDER	
<input checked="" type="checkbox"/> EMULSION		<input checked="" type="checkbox"/> EMULSION	

FRONT ANTI-ROLL BARS		REAR	
<input type="checkbox"/>	<input type="checkbox"/>	<input type="checkbox"/>	<input type="checkbox"/>
0.9	1	1.1	OTHER mm
		1.1	1.3
		1.5	OTHER mm

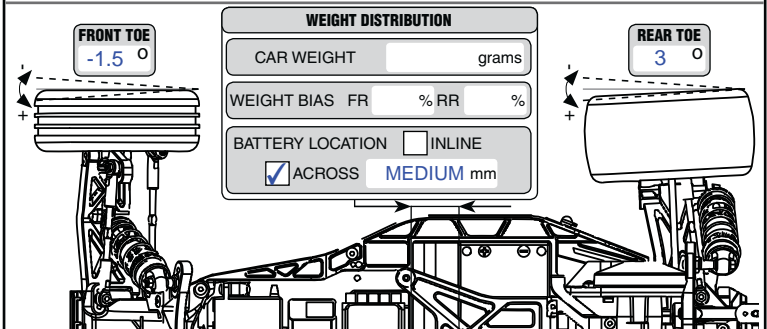
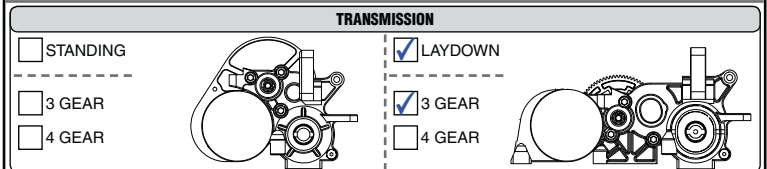
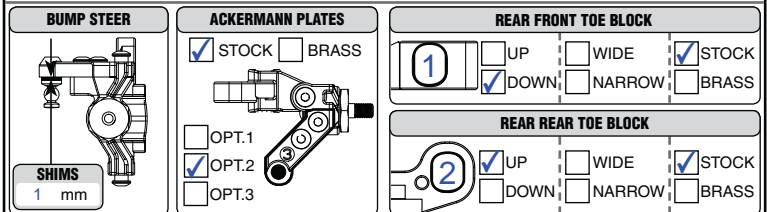
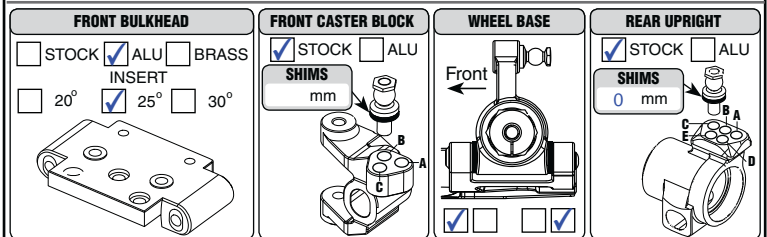
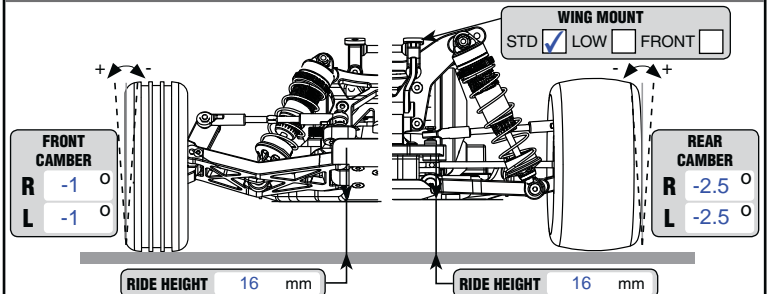
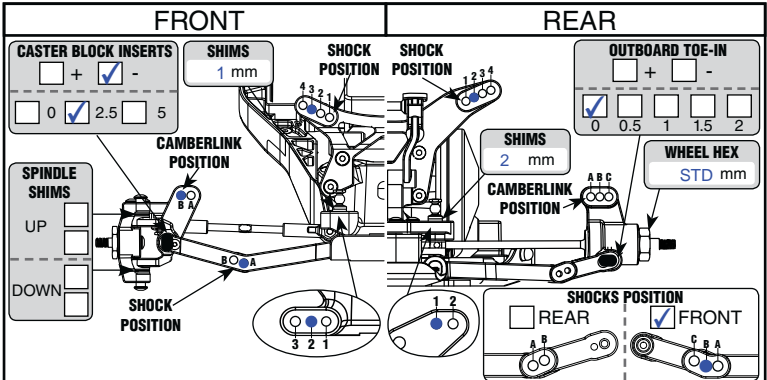
REAR DIFFERENTIAL	
<input type="checkbox"/> BALL DIFFERENTIAL	DIFFERENTIAL HEIGHT
<input checked="" type="checkbox"/> GEAR DIFF 7000 75% cst	<input type="checkbox"/> HIGH <input checked="" type="checkbox"/> MED <input type="checkbox"/> LOW <input type="checkbox"/> FIXED

GEARING	
PINION 23 Teeth	SPUR GEAR 76 Teeth

ELECTRONICS	
BATTERY	
BRAND SUNPADOW SHORTY	CAPACITY 4500 mAh
MOTOR	
BRAND DASH ARROWMAX	TYPE 7,5T
	TIMING STD
ESC	
BRAND DASH ARROWMAX	TYPE AI

AERODYNAMIC CONFIGURATION	
BODY BRAND SERPENT	TYPE SRX2 MH REGULAR
REAR WING BRAND REDFOX	TYPE STYLE WING
REAR WING WIDTH	REAR WING LIP mm
REAR WING ANGLE <input type="checkbox"/> 0° <input checked="" type="checkbox"/> 2° <input type="checkbox"/> 4° <input type="checkbox"/> 6° <input type="checkbox"/> 8°	
FRONT WING <input checked="" type="checkbox"/> YES <input type="checkbox"/> NO	TYPE XRAY IN FRONT SHOCK TOWER

FRONT TIRES		REAR	
SCHUMACHER	MAKE	SCHUMACHER	
CUT STAGGER LOW PROFILE	TYPE	MINI PIN 1	
YELLOW	COMPOUND	YELLOW	
NO	INSERTS	SCHUMACHER MEDIUM	
SCHUMACHER SLIM	WHEELS	SERPENT	
NO	ADDITIVE	NO	



**REMARKS** Battery forward big sponge in the kit.