

DRIVER, TRACK AND RESULTS

DRIVER **Felix Law** COUNTRY **HK** WEATHER AIR TEMP TRACK TEMP DRY INTERMEDIATE WET

TRACK **TRC** TRACTION LOW MEDIUM HIGH COMMENTS

RACE **Femca 2018** DATE **03/12/18** QUALY POS. QUALY TIME STARTING POS. FINAL POS.

FRONT	DRIVE TRAIN	REAR
<input checked="" type="checkbox"/> GEAR DIFF Ride 70 cst	GEAR DIFF 100k cst	
<input type="checkbox"/> SPOOL		

1ST	SPUR GEARS	2ND
<input type="checkbox"/> 58 <input type="checkbox"/> 59 <input checked="" type="checkbox"/> 60		<input type="checkbox"/> 53 <input type="checkbox"/> 54 <input checked="" type="checkbox"/> 55

1ST	PINION	2ND
<input type="checkbox"/> 15 <input checked="" type="checkbox"/> 16 <input type="checkbox"/> 17		<input type="checkbox"/> 20 <input checked="" type="checkbox"/> 21 <input type="checkbox"/> 22

FRONT	SHOCK ABSORBERS	REAR
700 cst	OIL	700 cst
Blue	SPRINGS	Blue

mm REBOUND		mm	
<input type="checkbox"/>	<input type="checkbox"/>	<input checked="" type="checkbox"/>	<input type="checkbox"/>
<input type="checkbox"/>	<input type="checkbox"/>	<input checked="" type="checkbox"/>	<input type="checkbox"/>

FRONT	ANTI-ROLL BARS	REAR
<input type="checkbox"/> 1.8 <input type="checkbox"/> 2.2 <input checked="" type="checkbox"/> 2.5 <input type="checkbox"/> 2.8		<input type="checkbox"/> 1.6 <input type="checkbox"/> 1.8 <input type="checkbox"/> 2.0 <input checked="" type="checkbox"/> 2.2 <input type="checkbox"/> 2.5

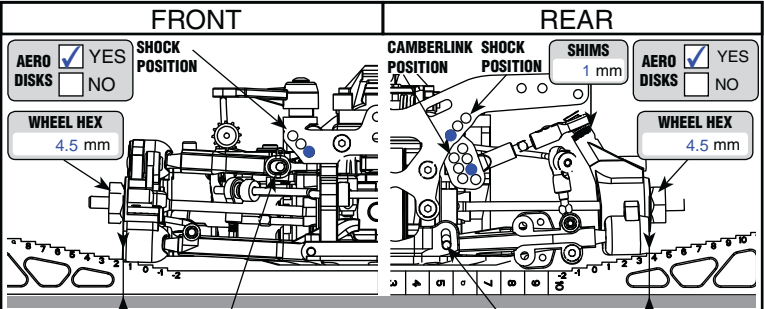
FRONT	TYRES	Controlled Tyre	REAR
ZAC	MAKE	<input checked="" type="checkbox"/>	ZAC
37	SHORE		40
58	DIAMETER		60
0.7mm	5-MIN WEAR		1mm

POWER PACK	
ENGINE	
BRAND REDS WTS	TYPE
GLOWPLUG P6	CARBØ 5.4 mm HEAD CLEARANCE mm
EXAUSHT	
PIPE REDS	MANIFOLD s
FUEL	
BRAND Maxima	NITRO 16%

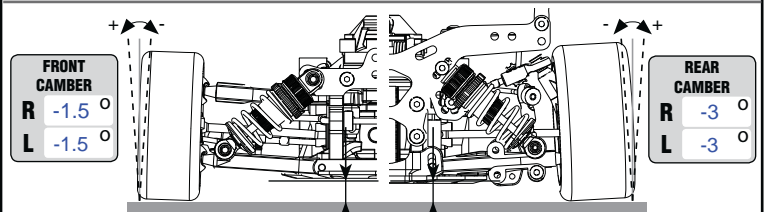
CLUTCH	
CLUTCH BELL <input checked="" type="checkbox"/> ALU <input type="checkbox"/> STEEL	CLUTCH SHOE <input type="checkbox"/> RED <input checked="" type="checkbox"/> YELLOW <input type="checkbox"/> BLACK
CLUTCH SPRING stock 0.8	CLUTCH BELL GAP 0.5 mm

FLEX CONFIGURATION	
CHASSIS STIFFENER <input checked="" type="checkbox"/> YES <input type="checkbox"/> NO	FLEX <input type="checkbox"/> YES <input checked="" type="checkbox"/> NO

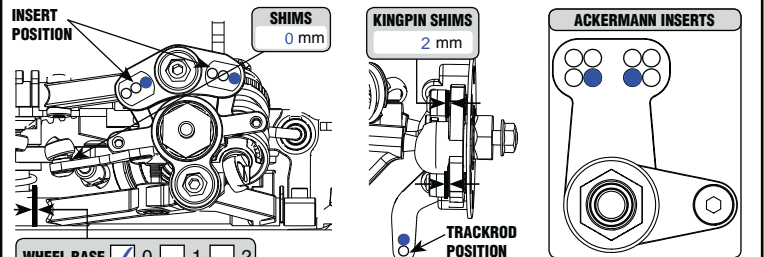
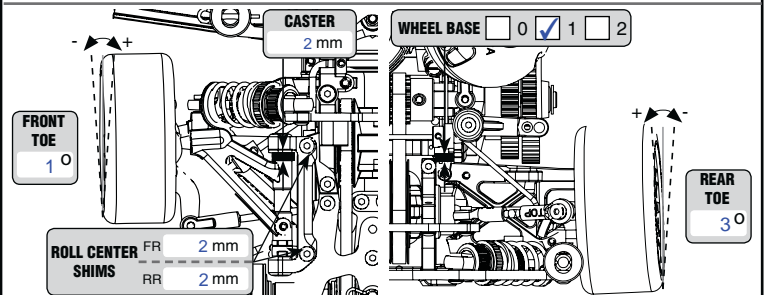
AERODYNAMIC CONFIGURATION	
BODY BRAND PF	BODY POSITION 3mm mm
BODY TYPE P47	
BUMPERS HOLES <input type="checkbox"/> YES <input checked="" type="checkbox"/> NO	



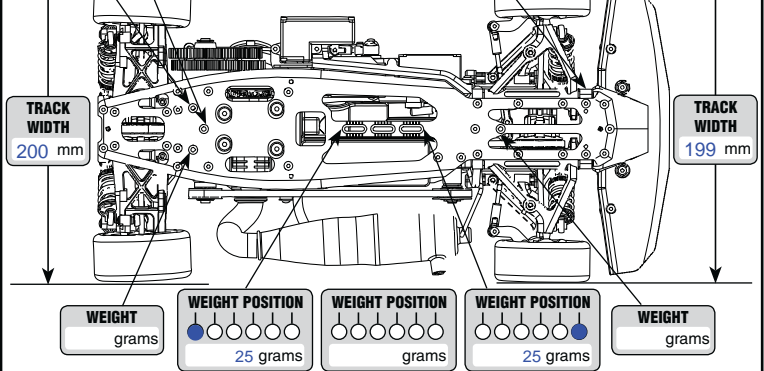
DOWN STOP 1 mm	UPPER ARM INSERT	ROLL CENTER INSERT FRONT	DOWN STOP 3.5 mm
-----------------------	------------------	--------------------------	-------------------------



RIDE HEIGHT 5.5 mm WITH TYRE Ø 58 mm	RIDE HEIGHT 6.5 mm WITH TYRE Ø 60 mm
--	--



WHEEL BASE <input checked="" type="checkbox"/> 0 <input type="checkbox"/> 1 <input type="checkbox"/> 2	WEIGHT grams	WEIGHT grams	WEIGHT DISTRIBUTION
			CAR WEIGHT 1725 grams
			FR SUSPENSION BRACKET BRASS <input type="checkbox"/> YES <input checked="" type="checkbox"/> NO



REMARKS